

## Direct Mount Chain Wheels

Direct Mount Chain Wheels mount directly onto the gearbox input shaft by means of a pin or coupling, and are suitable for use with every range in our product offering.

### Features

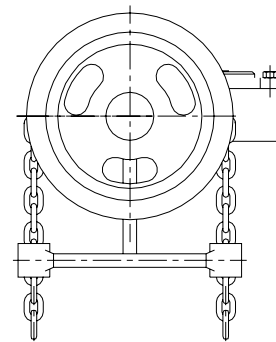
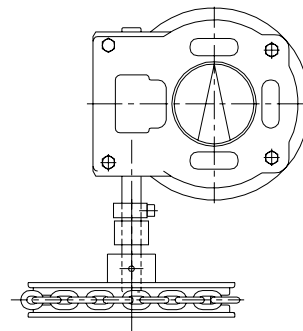
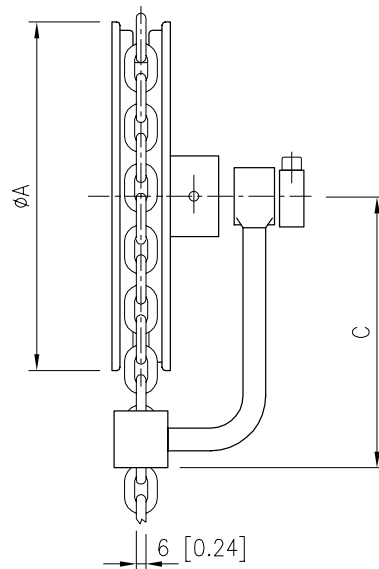
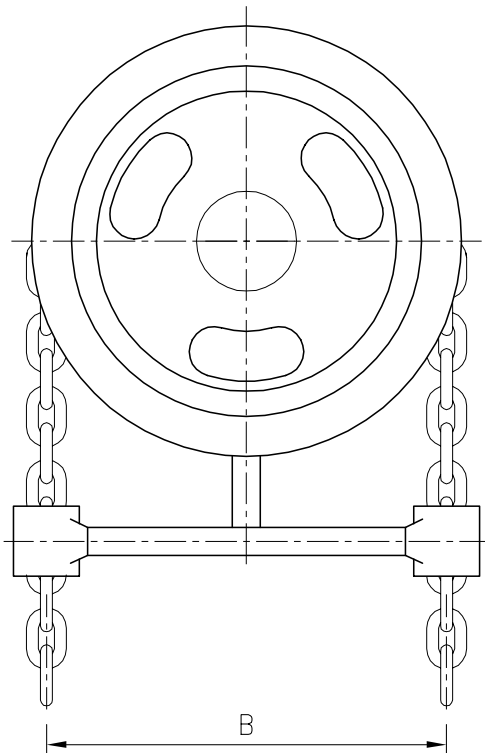
- Cast iron chain wheels from 135 to 330 mm diameter, larger sizes can be supplied.
- Chain guides and bearing are standard.
- Chain and chain wheel sprockets are to DIN 766.
- Galvanized or stainless steel chain available.
- Epoxy coating for durability available.
- Direct mount on the input shaft.

### Options

- AISI316 chain wheel & chain.
- Sheradisation protection.
- Adaption design to suit application.



# rotork® Gears



DIMENSIONS			
	WHEEL 135	WHEEL 215	WHEEL 335
A	135 (5.31)	220 (8.66)	330 (12.99)
B	120 (4.72)	185 (7.28)	306 (12.05)
C	147.5 (5.81)	167.5 (6.59)	217.5 (8.56)

For larger size Chain Wheels, please contact Rotork Gears.  
Dimensions in mm (inch).  
The maximum advised RIM pull is 700N.  
Chain Wheels are not suitable for gears with rated torque lower than 330 Nm.

**Rotork Gears BV**  
Nijverheidstraat 25  
7581 PV Losser  
P.O. Box 98  
7580 AB Losser  
The Netherlands

tel: +31 (0)53 - 5388677  
fax: +31 (0)53 - 5383939  
email: info@rotorkgears.nl

**Rotork Gears UK**  
9 Brown Lane West  
Holbeck  
Leeds  
West Yorkshire LS12 6BH  
England

tel: +44 (0)113 2567922  
email: sales@rotorkgears.com

**Rotork Gears Americas**  
1811 Brittmoore  
Houston  
Texas 77043  
USA

tel: +1 713 983 7381  
fax: +1 713 856 8022  
email: gears@rotorkgears.com

**Rotork Gears S.R.L.**  
via Olona, 65/67  
20015 Parabiago (MI)  
Italy

tel: +39 0331 552128  
fax: +39 0331 553147  
email: info@rotorkgears.it

**Rotork Gears Shanghai**  
No. 260 Lian Cao Road  
Xin Mei Urban Industrial Park  
Min Hang District  
Shang Hai 201108  
China

tel: 0086-21-33236200  
fax: 0086-21-64348388  
email: info@rotorkgears.com.cn

**Rotork Gears India**  
165/166, Bommasandra,  
Jigani Link Road,  
Kladd Industrial Area,  
Anekal Thaluk, Jigani Hobli,  
Bangalore 562106

tel: +91 80 3098 1600  
fax: +91 80 3098 1610  
email: sales@rotork.co.in

**Rotork Valvekits**  
Brookside Way  
Nunn Park  
Huthwaite  
Nottinghamshire NG17 2NL  
England

tel: +44 (0)1623 440211  
fax: +44 (0)1623 440214  
email: sales@rotorkvalvekits.com

**Rotork Valvekits Americas**  
Renfro Associates Inc  
501 South 12th Street  
Broken Arrow, OK  
74012  
USA

tel: +1 (918) 259-8100  
fax: +1 (918) 259-9167  
email: info@renfroassociates.com

A full listing of our worldwide sales and service network is available on our website at

[www.rotork.com](http://www.rotork.com)

As part of a process of on-going product development, Rotork reserves the right to amend and change specifications without prior notice. Published data may be subject to change. For the very latest version release, visit our website at [www.rotork.com](http://www.rotork.com).

The name Rotork is a registered trademark. Rotork recognizes all registered trademarks. Published and produced in the UK by Rotork Controls Limited. RGSM0215

PUB063-038-00 Issue 02/15