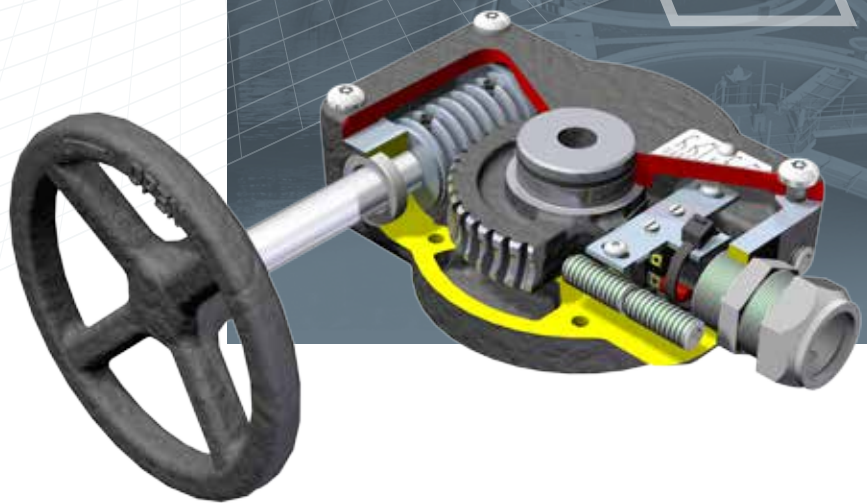


rotork®

Gears

FB Series

Manual Quarter-turn Gear Operators



Manual Quarter-turn Gear Operators for Fire Protection Butterfly Valves

The new durable and economic FB series of gearboxes are capable of withstanding in excess of three times the rated input torque and have a lifespan of over 1000 cycles. Also incorporated is an external overload feature in the form of a shear pin fixing the handwheel to the input shaft to prevent damage to the valve if subjected to abuse for UL applications, and for FM application an internal overload feature can be incorporated between the valve stem and the gearbox output (i.e. shear key, shear pin, etc). All FB gearboxes include electrical switches activated when the valve is moved from the open position.

Application

The FB series of gearboxes have been designed specifically to be used on fire protection (i.e. sprinkler) systems and have been designed and tested to meet UL1091 and FM1112 Approval requirements.

Features

- Cast handwheels (on smaller sizes)
- PTFE thrust washers
- Cast iron housing
- Ductile iron wormwheel
- ½" NPT gland fitting
- Recessed stop screws
- Stroke 0-90° (±5° adjustable at open and closed)

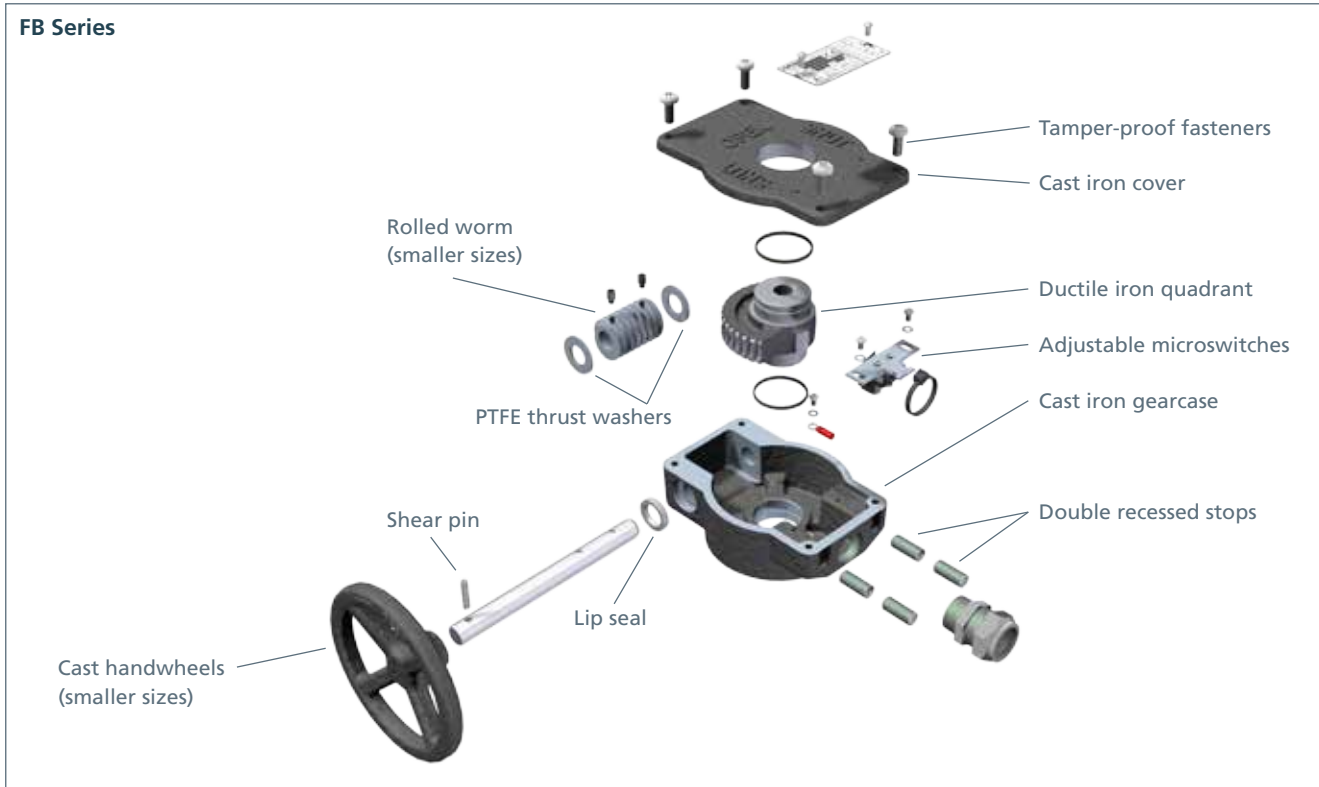
Environmental Specification

- Sealed up to IP67 (with appropriate cable gland)
- Temperature range: -20 to 120 °C (-4 to 250 °F)

Options

- Optional valve stem indicators
- Square base, incorporating locating dowels

Redefining Flow Control



Type	Ratio:1	Output torque Nm (lbf.in)	M.A.* ±10%	Handwheel size mm (inch)	Weight kg (lbs)	Max. Stem Bore mm (inch)	Max. Stem Square mm (inch)	Max. Stem Flats mm (inch)	Max. Stem Height mm (inch)	ISO base options
FB10	40	80 (708)	9.6	Ø50 (2")	1.25 (2.8)	Ø14.4 (0.57")	14 (0.55")	Ø19.7 (0.77")	39.8 (1.56")	F05,F07
FB20	40	140 (1239)	9.6	Ø100 (4")	2.32 (4.2)	Ø17 (0.67")	16 (0.63")	Ø22.6 (0.89")	42.3 (1.66")	F05, F07, F10
FB30	40	330 (2921)	9.6	Ø200 (8")	4.2 (9.3)	Ø28.0 (1.10")	25.1 (0.98")	Ø35.5 (1.39")	52.3 (2.06")	F07, F10
FB40	40	660 (5841)	9.6	Ø400 (16")	9.9 (21.7)	Ø40.0 (1.57")	34.3 (1.35")	Ø48.5 (1.91")	66.3 (2.61")	F07, F10, F12
FB50	60	1000 (8851)	14.5	Ø400 (16")	12.2 (26.8)	Ø38.0 (1.49")	32.9 (1.29")	Ø46.5 (1.83")	66.3 (2.61")	F10, F12, F14

*The published M.A. is achieved after a few cycles.

Rotork Gears BV
Nijverheidstraat 25
7581 PV Losser
P.O. Box 98
7580 AB Losser
The Netherlands

tel +31 (0)53-5388677
fax +31 (0)53-5383939
email info@rotorkgears.nl

Rotork Gears UK
9 Brown Lane West
Holbeck
Leeds
West Yorkshire LS12 6BH
England

tel +44 (0)113 2567922
email sales@rotorkgears.com

Rotork Gears Americas
1811 Brittmoore
Houston
Texas 77043
USA

tel +1 713 983 7381
fax +1 713 856 8022
email gears@rotorkgears.com

Rotork Gears S.R.L.
via Olona, 65/67
20015 Parabiago (MI)
Italy

tel +39 0331 552128
fax +39 0331 553147
email info@rotorkgears.it

Rotork Gears Shanghai
No. 260 Lian Cao Road
Xin Mei Urban Industrial Park
Min Hang District
Shang Hai 201108
China

tel 0086-21-33236200
fax 0086-21-64348388
email info@rotorkgears.com.cn

A full listing of our worldwide sales and service network is available on our website at

www.rotork.com

Rotork Gears India
165/166, Bommasandra,
Jigani Link Road,
Kiadb Industrial Area,
Anekal Thaluk, Jigani Hobli,
Bangalore 562106

tel +91 80 3098 1600
fax +91 80 3098 1610
email sales@rotork.co.in

Rotork Valvekits
Brookside Way
Nunn Park
Huthwaite
Nottinghamshire NG17 2NL
England

tel +44 (0)1623 440211
fax +44 (0)1623 440214
email sales@rotorkvalvekits.com

Rotork Valvekits Americas
Renfro Associates Inc
501 South 12th Street
Broken Arrow, OK
74012
USA

tel +1 (918) 259-8100
fax +1 (918) 259-9167
email info@renfroassociates.com