



Electric Motors  
Hoyer  
Marine Brake Motors

[hoyermotors.com](http://hoyermotors.com)

**HOYER**  
MOTORS



Designed for  
demanding marine  
and offshore  
applications

– documented high reliability

The new Hoyer brake motor is designed specifically for demanding marine and offshore applications. It offers value-adding flexibility due to a new and optimized design where key elements such as delivery performance and customised solutions are incorporated.

**“A combination of quality components, proven marine performance and technical insight ensures that the new Hoyer Brake Motor already has a documented high reliability.”**

#### **Design and components**

Perfectly matched components are the foundation of the modular Hoyer design. By using Hoyer IE2 Marine motors as the backbone of the design, both quality, documentation and fast delivery are ensured.

Together with the high protection marine brake from Stromag and a Kübler encoder developed for harsh conditions the Hoyer Marine Brake Motor is ready to meet the highest expectations.

# Hoyer Marine Brake Motors

## Hoyer IE2 Marine motor

- Documented marine performance
- Fullscale documentation
- Approved by all major class societies
- IP 56, Heater, tropical winding, PTC, VSD ready

## Stromag high protection DC brake

- Developed for marine environments
- Approved by all major class societies
- Proven reliability and quality
- Separate brake terminal box

## Kübler high protection encoder

- Developed for harsh conditions
- Shielded marine protection
- Pulse rate up to 5000
- Shock and vibration resistant

## Range

Hoyer Marine Brake Motors are available from size 132 to 355. Standard protection IP56 with option for open deck conditions. Basic range consist of 3 flexible designs with endless possibilities for customised solutions.

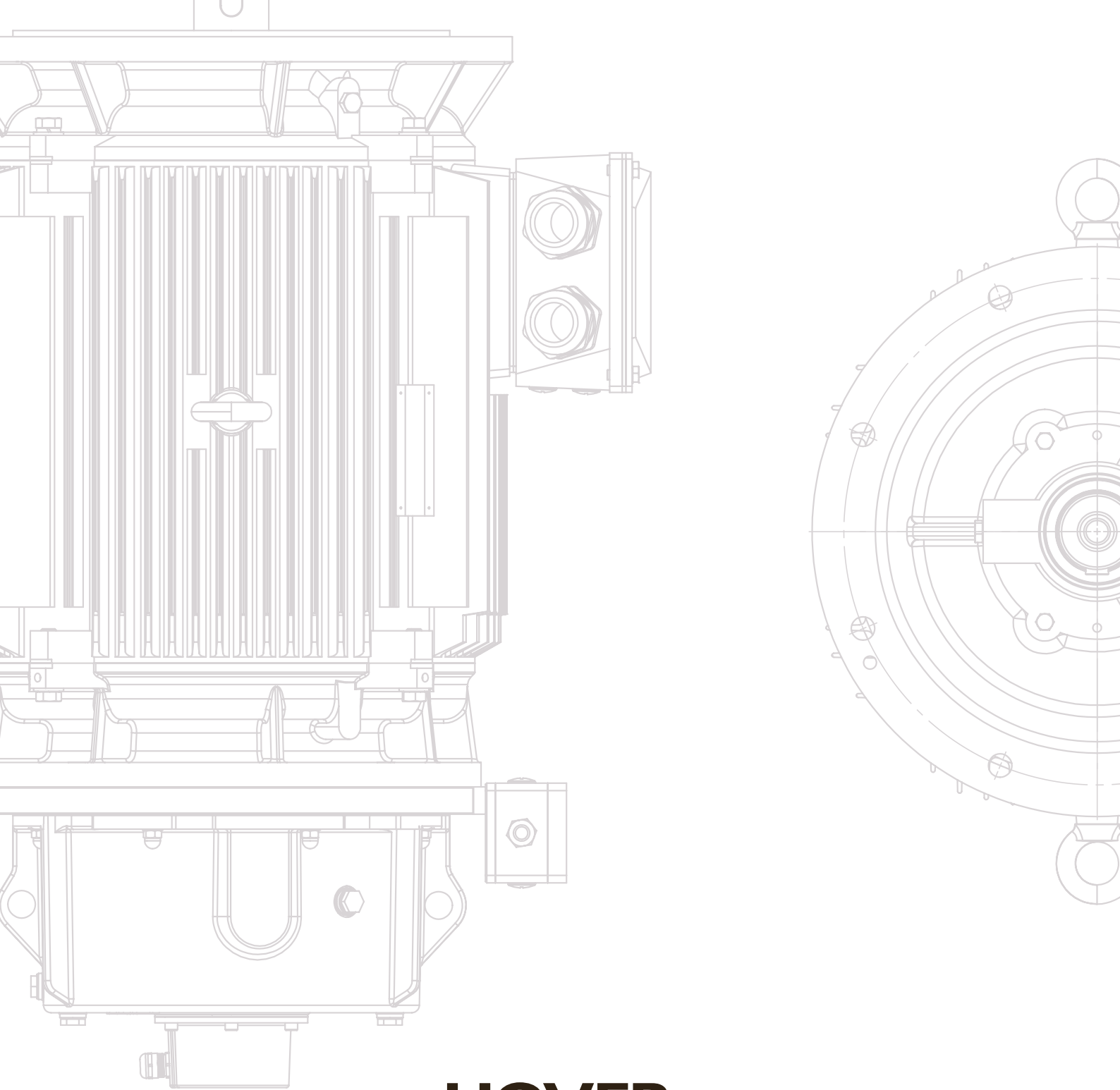


## Flexibility and options

- All painting systems available on request
- Up to IP 66 protection
- Open deck execution and various S-duties
- Customised brake solutions

- Totally enclosed non-ventilated TENV (IEC 410)
- Totally enclosed fan cooled TEFC (IEC 411)
- Totally enclosed forced ventilated TEFV (IEC 416) Wistro

Motor type - Hoyer IE2 Marine	440V 60Hz S1 - 45°C			Brake type - Stromag 4 BZFM				Encoder type - Kübler 8.5020		Weight kg
	P2	Speed	IN	Brake torque (Nm)			Output	Standard interface		
	kW	rpm	A	Standard	Decreased	Increased	V DC	Output circuit	Pulse rate	
HBM2 132S-4	6,4	1730	11,5	63	45/54	69/75/80	110	Push-Pull. 10-30 V DC	1024	92
HBM2 132M2-4	8,7	1730	15	100	63/80	130/160	110	Push-Pull. 10-30 V DC	1024	113
HBM2 160M-4	12,8	1740	22	160	100/130	200/250	110	Push-Pull. 10-30 V DC	1024	164
HBM2 160L-4	17,5	1740	30	160	100/130	200/250	110	Push-Pull. 10-30 V DC	1024	194
HBM2 180M-4	21,5	1760	36	250	160/200	300/350/400	110	Push-Pull. 10-30 V DC	1024	261
HBM2 180L-4	25,6	1760	42	250	160/200	300/350/400	110	Push-Pull. 10-30 V DC	1024	272
HBM2 200L-4	34,9	1760	57	250	160/200	300/350/400	110	Push-Pull. 10-30 V DC	1024	300
HBM2 225S-4	43	1770	70	400	250/350	490/550/630	110	Push-Pull. 10-30 V DC	1024	379
HBM2 225M-4	52,4	1770	85	400	250/350	490/550/630	110	Push-Pull. 10-30 V DC	1024	402
HBM2 250M-4	64	1775	103	630	400/550	720/800/1000	110	Push-Pull. 10-30 V DC	1024	560
HBM2 280S-4	87	1775	139	1000	630/800	1300/1600	110	Push-Pull. 10-30 V DC	1024	731
HBM2 280M-4	104	1775	166	1000	630/800	1300/1600	110	Push-Pull. 10-30 V DC	1024	811
HBM2 315S-4	128	1775	200	1600	1000/1300	1900/2100/2500	110	Push-Pull. 10-30 V DC	1024	1046
HBM2 315M-4	153	1775	239	1600	1050/1300	1900/2100/2500	110	Push-Pull. 10-30 V DC	1024	1136
HBM2 315L 1-4	186	1775	287	1600	1050/1300	1900/2100/2500	110	Push-Pull. 10-30 V DC	1024	1206
HBM2 315L 2-4	232	1775	357	1600	1050/1300	1900/2100/2500	110	Push-Pull. 10-30 V DC	1024	1286
HBM2 355M-4	291	1775	443	2500	1600/2000	2800/3400/4000	110	Push-Pull. 10-30 V DC	1024	1926
HBM2 355L 1-4	366	1775	559	2500	1600/2000	2800/3400/4000	110	Push-Pull. 10-30 V DC	1024	2106
HBM2 355LB-4	413	1775	630	2500	1600/2000	2800/3400/4000	110	Push-Pull. 10-30 V DC	1024	2551



# HOYER

EXCEEDING EXPECTATIONS

Hoyer Motors, Marine Brake Motors, May 2015

## Head Offices

Denmark  
Over Hadstenvej 42 · DK-8370 Hadsten  
T +45 86 98 21 11 · F +45 86 98 17 79  
hoyermotors@hoyermotors.com  
hoyermotors.com

## China

19 Jingwu Middle Road · Beilun District  
Ningbo 315821 · Zhejiang  
T +86 574 26 28 15 77 · F + 86 574 2628 1573  
hoyermotors@hoyermotors.cn  
hoyermotors.cn

## Branch Offices

Germany  
Landsberger Straße 155 · 80687 Munich  
T +49 89 700 88 235 · F +49 89 543 56 333  
germany@hoyermotors.com  
hoyermotors.com

## Sweden

Liljeholmsstranden 5 · PO box 44017  
SE-100 73 Stockholm  
T + 46 8 446 877 13 · F + 46 8 446 877 20  
sweden@hoyermotors.com  
hoyermotors.com

## Benelux

Vasteland 78 · 3011 BN, Rotterdam  
Tel. +31 10 420 35 20 · Fax.+31 10 420 44 51  
benelux@hoyermotors.com  
hoyermotors.com

## Korea

118dong 205ho · Busan T-Plex, 3153-1  
Daejeo 2-dong · Gangseo-gu · Busan · Korea  
T +82 51 996 0251 · F +82 51 996 0252  
korea@hoyermotors.com  
hoyermotors.com