

# Brook Crompton

## Product guide





## Safe area

W aluminium .....	4
W cast iron .....	5
Series 10 aluminium.....	6
Series 10 cast iron .....	7
Single phase.....	8
Stock modifications .....	9

## Hazardous area

Zone 1 Ex d Flameproof .....	11
Zone 2 EEx nA Non sparking.....	12
Zone 21 & 22 Dust ignition proof.....	13
CD range .....	14
BD range .....	15
Stock modifications .....	16

## Brook Crompton partners

Schorch.....	17
Sever.....	18

## Brook Crompton contacts

Contact details.....	19
----------------------	----

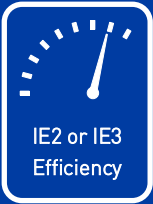
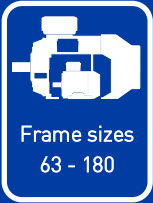
## Brook Crompton

BROOK CROMPTON is a leading provider of electric motors for the global industrial market, with motor solutions that benefit a wide range of customers involved in numerous diverse markets. Our products are used in almost every industrial activity including water treatment, building services, chemicals / petrochemicals, general processing and manufacturing, where they drive fans, pumps, compressors and conveyors amongst other things.

BROOK CROMPTON today incorporates many well know names from the history of electric motor production including Brook Motors, Crompton Parkinson, Electrodrives (itself including AEI and English Electric), Newman and Hawker Siddeley Electric Motors.

# W Aluminium (IEC)

4 3 phase



## W Aluminium Specification

Specification	Standard product	Option
Frame sizes	63 - 180	
Enclosure	IP55	IP56, IP65, IP66
Mounting option	Foot [B3], Flange [B5], Face [B14] or Pad [B30]	Foot & Flange [B35], Foot & Face [B34]
Terminal box position	Top	Right hand side, left hand side
Voltage	3 kW and below: 230 / 400	-
	4 kW and above: 400 / 690	-
Frequency	50 Hz	60 Hz
Cooling	IC411	IC410, IC416 & IC418
Bearing location	Non drive end	Drive end
Lubrication	63 - 180 double-shielded bearings	-
Insulation	class F	class H
Temperature rise	class B	class F
Paint colour	water blue (RAL 5021)	on request
Fan cover	Steel	Plastic
Thermal protection	-	63 - 180
Anti condensation heaters	-	63 - 180
Drain holes	160 - 180	63 - 132
Inverter Duty (with derate)	Variable Torque: 10:1	-
	Constant Torque: 2:1	Alternative speed range
Ambient temperature	-20°C to +40°C	-55°C to +70°C
Brake kit friendly	63 -132 frames	-
AC & DC brake option	63 - 132	160 - 180

The above specification and options give a brief summary of features available for the W aluminium range. For a full listing of optional features, please contact Brook Crompton sales.

### W aluminium range

The Brook Crompton aluminium motor range is a high quality, high variant product with outputs from 0.07kW to 22kW in frame sizes WU-DA63S to WU-DA180L. They are widely used in a diverse range of applications from food and drink to water and sewage. From heating and ventilation to refrigeration. Some of the benefits of aluminium over cast iron, include, high resistance to corrosion and atmospheric attack (except chlorine, salt-laden or sulphuric acid) and the fact that aluminium is approximately one third the weight of cast iron.

### Special build options:

- Multi speed
- Brake / brake kit friendly (frames 63-132)
- Encoder
- Force ventilated (IC416)
- Special shaft / special flange dimensions
- Special paint
- Special voltage
- Low starting torque
- Marine
- Hoist / crane duty
- plus many more

### Multi-Mount

By simply changing the position of the feet, the user is able to obtain right, left or top mounted terminal box positions and by removing the standard endshield you can change it for a flange or face version.



Catalogue  
20112E

# W Cast iron (IEC & BS)

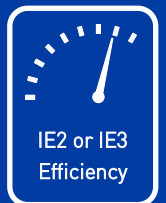
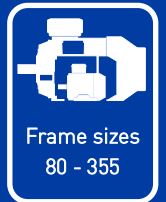
3 phase

5

## W Cast Iron Specification

Specification	Standard product	Option
<b>Frame sizes</b>	80 - 355	
<b>Enclosure</b>	IP55	IP56, IP65, IP66
<b>Mounting option</b>	Foot (B3), Flange (B5), Face (B14) or Pad (B30)	Foot & Flange (B35), Foot & Face (B34)
<b>Terminal box position</b>	Top, (80 frame right hand side)	Right hand side, left hand side
<b>Voltage</b>	3 kW and below: 230 / 400	-
	4 kW and above: 400 / 690	-
<b>Frequency</b>	50 Hz	60 Hz
<b>Cooling</b>	IC411	IC410, IC416 & IC418
<b>Bearing location</b>	Drive end	Non drive end
<b>Lubrication</b>	80 - 180 double-shielded bearings	Regreasing facility
	200 - 355 regreasing facility	-
<b>Insulation</b>	class F	class H
<b>Temperature rise</b>	class B	class F
<b>Paint colour</b>	water blue (RAL 5021)	on request
<b>Fan cover</b>	Steel	Plastic (80 - 180)
<b>Thermal protection</b>	200 - 355 (by thermistors)	80 - 180
<b>Anti condensation heaters</b>	-	80 - 355
<b>Drain holes</b>	160 - 355	80 - 132
<b>Inverter Duty</b> (with derate)	Variable Torque: 10:1	-
	Constant Torque: 2:1	Alternative speed range
<b>Ambient temperature</b>	-20°C to + 40°C	-55°C to + 100°C
<b>AC &amp; DC brake option</b>	-	80 - 355

The above specification and options give a brief summary of features available for the W cast iron range. For a full listing of optional features, please contact Brook Crompton sales.



## W cast iron range

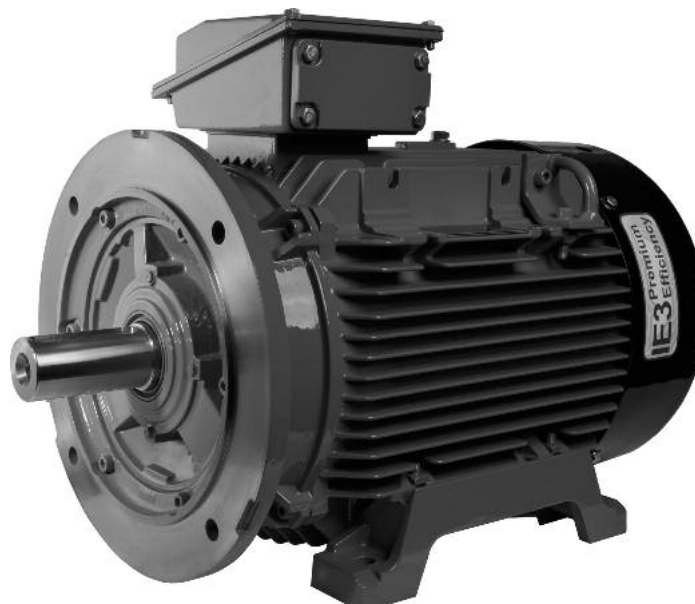
The Brook Crompton W cast iron motor range is a high quality, high variant product with outputs from 0.18kW to 400kW in frame sizes 80 to 355L. They are suitable for use within a diverse range of applications from food and drink to china clay production. From roller table drives to refrigeration. Many applications often have adverse operating conditions including repeated starting and occasional overloading; the 'W' range is well suited to these situations. A virtual 'go anywhere' motor, this cast iron range has a full 3-year guarantee.

## Special build options:

- Multi speed
- Encoder
- Force ventilated (IC416)
- Special shaft / special flange dimensions
- Special paint
- Special voltage
- Roller bearing
- Low starting torque
- Marine
- Hoist / crane duty
- Fumex (smoke extraction)
- plus many more

## Multi-Mount

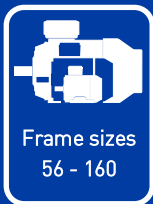
By simply changing the position of the feet, the user is able to obtain right, left or top mounted terminal box positions and by removing the standard endshield you can change it for a flange or face version.



Catalogue  
20113E

# Series 10 Aluminium (IEC)

6 3 phase



## Series 10 Aluminium Specification

Specification	Standard product	Option
Frame material	56- 160 aluminium	-
Enclosure	IP55	IP56, IP65
Mounting option	Foot (B3), Flange (B5), Face (B14)	Foot & Flange (B35), Foot & Face (B34)
Terminal box position	Top	-
Voltage	3 kW and below: 230 / 400	-
	4 kW and above: 400 / 690	-
Frequency	50 Hz	60 Hz
Cooling	IC411	-
Bearing location	56- 160 Non drive end	-
Lubrication	56 - 160 double-shielded bearings	-
Insulation	class F	-
Temperature rise	class B	-
Paint colour	water blue (RAL 5021)	-
Fan cover	Steel	-
Thermal protection - IE2	80 -112 - Thermostats	-
	132 - 160 - Thermistors	-
Thermal protection - IE1	63 - 160 -Thermistors	-
Inverter Duty (with derate)	Variable Torque: 10:1	-
	Constant Torque: 2:1	-
Ambient temperature	-20°C to + 40°C	-

The above specification and options give a brief summary of features available for the Series 10 range. For a full listing of optional features, please contact Brook Crompton sales.

### Series 10 aluminium range

The Brook Crompton Series 10 aluminium range is a high quality standard range of electric motors with a specification suitable for most industrial applications.

It covers outputs from 0.06kW up to 18.5kW in frame sizes 56 to 160.

### Stock modifications include

- B14, B34, B35 mounting options
- IP56, IP65 ingress protection
- Change of terminal box position
- Cable entry position change
- Anti condensation heaters
- Restamp for inverter rating

### Multi-Mount

By simply changing the position of the feet, the user is able to obtain right, left or top mounted terminal box positions and by removing the standard endshield you can change it for a flange or face version.



Catalogue  
20121E

# Series 10 Cast iron (IEC)

3 phase

7

## Series 10 Cast Iron Specification

Specification	Standard product	Option
Frame material	71 - 450 cast iron	-
Enclosure	IP55	IP56, IP65 - (IE2 only)
Mounting option	Foot (B3), Flange (B5), Face (B14)	Foot & Flange (B35), Foot & Face (B34)
Terminal box position	Top	-
Voltage	3 kW and below: 230 / 400 4 kW and above: 400 / 690	-
Frequency	50 Hz	60 Hz
Cooling	IC411	-
Bearing location	non drive end	-
Lubrication	56 - 160 double-shielded bearings 180 - 450 through greasing	-
Insulation	class F	-
Temperature rise	class B	-
Paint colour	water blue (RAL 5021)	-
Fan cover	Steel	-
Thermal protection	Thermistors	-
Inverter Duty (with derate)	Variable Torque: 10:1 Constant Torque: 2:1	-
Ambient temperature	-20°C to + 40°C	-

The above specification and options give a brief summary of features available for the Series 10 range. For a full listing of optional features, please contact Brook Crompton sales.

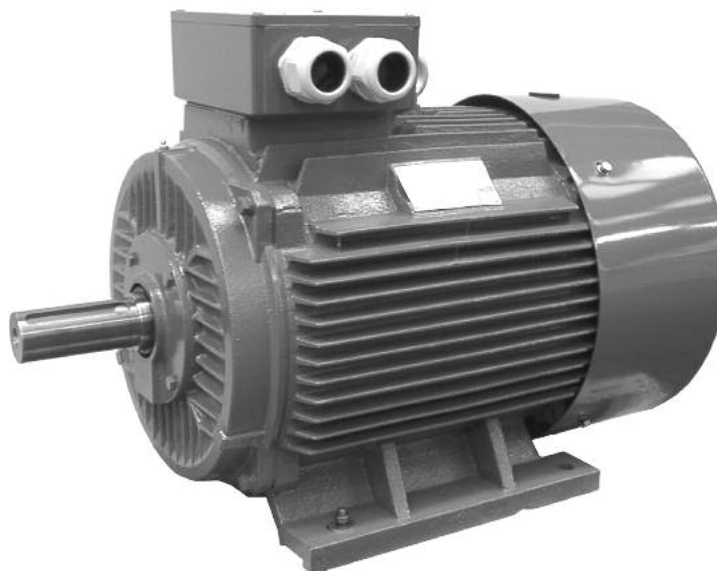
## Series 10 cast iron range

The Brook Crompton Series 10 cast iron range is a high quality standard range of electric motors with a specification suitable for most industrial applications.

It covers outputs from 0.09kW up to 900kW in frame sizes 71 to 450.

## Stock modifications include

- B14, B34, B35 mounting options
- IP56, IP65 ingress protection
- Change of terminal box position
- Cable entry position change
- Anti condensation heaters
- Restamp for inverter rating



Frame sizes  
71 - 450



IE2  
Efficiency



IP55, IP56  
or IP65



Thermal  
protection



2 year  
warranty

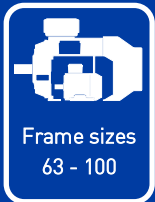


Catalogue  
20121E

# W Aluminium single phase

8

Capacitor start & run, Capacitor start - induction run  
Capacitor start - capacitor run



## Single Phase Aluminium Specification

Specification	Standard product	Option
Frame sizes	63 - 100	-
Enclosure	IP55	IP56, IP65, IP66
Mounting option	Foot (B3), Flange (B5), Face (B14)	Foot & Flange (B35), Foot & Face (B34)
Terminal box position	Top	Right hand side, left hand side
Voltage	Frame sizes 63-90: 230 ±10%	-
	Frame size 100: 240 ±6%	-
Frequency	50 Hz	60 Hz
Cooling	IC411	IC410, IC416
Bearing location	Non drive end	Drive end
Lubrication	63 - 100 double-shielded bearings	-
Insulation	class F	-
Temperature rise	class B	-
Paint colour	water blue (RAL 5021)	on request
Fan cover	Steel	Plastic
Thermal protection	-	63 - 100
Anti condensation heaters	-	63 - 100
Drain holes	-	63 - 100
Ambient temperature	+ 40°C	-
Brake kit friendly	63 - 100 frames	-
AC & DC brake option	63 - 100	-

The above specification and options give a brief summary of features available for the W aluminium single phase range. For a full listing of optional features, please contact Brook Crompton sales.

## W aluminium single phase range

The Brook Crompton aluminium single phase motor range is a high quality, high variant, high performance product with outputs from 0.07kW to 3kW in frame sizes DA63S to DA100L. Available as capacitor start & run, capacitor start - induction run or capacitor start - capacitor run.

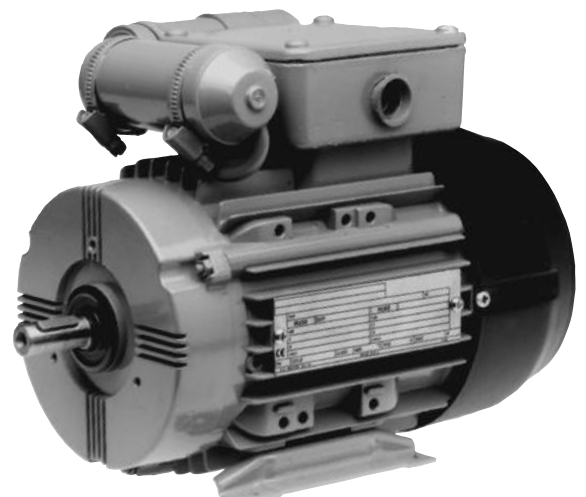
Single phase motors are used primarily in small workshops and farms with a domestic supply. Some industrial equipment are specifically designed for use with a single phase electricity supply, such as fans, blowers, centrifugal pumps and high pressure washers

### Special build options:

- Brake / brake kit friendly (frames 63-100)
- Special shaft / special flange dimensions
- Special voltage
- Special paint
- Marine
- plus many more

## Multi-Mount

By simply changing the position of the feet, the user is able to obtain right, left or top mounted terminal box positions and by removing the standard endshield you can change it for a flange or face version.



Catalogue  
2227E



Due to the adaptable design features of the Brook Crompton motor range, stock modifications are a very important factor in finding the right solution with competitive lead times.

Where standard motors are suitable for an application or electrical / mechanical changes are required, Brook Crompton can react to these needs **quickly**.

The Brook Crompton stock modification service is one of the major benefits in supplying industry worldwide

Brook Crompton can carry out the following modifications to stock motors.

Ingress protection IP56, IP65 or IP66

Modification from Foot to B35 (Foot & Flange) or B34 (Foot & C face)

Fit drip proof canopy / impact canopy

Anti condensation heaters

Thermistors

Inverter rating

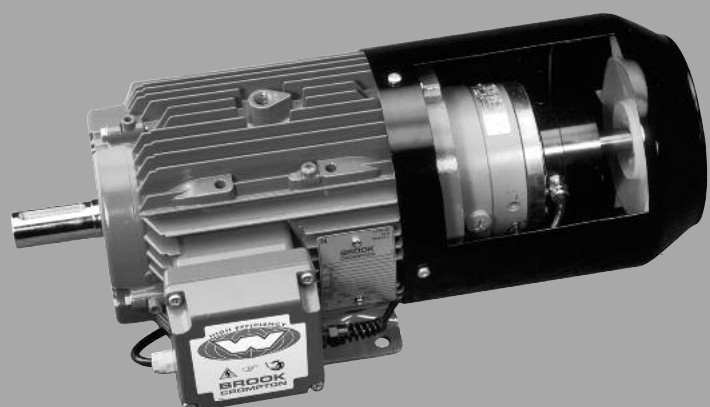
Insulated bearing

Fitting of brake kits to the aluminium range

Terminal box position changes

Roller bearing

The list above shows the most popular stock modifications, please contact the sales office for more information on available stock modifications to our safe area range of products.



Typical W-DA100 aluminium foot mounted motor fitted with a brake.

# Hazardous area products

10

- Gas or dust protection.
- Zone 1 Ex d/de.
- Zone 2 EEx nA non sparking.
- IIB or IIC enclosure classes.
- Outputs from 0.18kW to 800kW.
- Increased outputs.
- IE2 or IE3 efficiency.
- Brake motors.
- Variable speed drive compliant.
- Fume Extraction.
- Group I mining
- Certified to: ATEX, PTB, IECEX, NEPSI, TestSafe, GOST R



# W-EF Ex d(e) flameproof (IEC & BS)

Zone 1

11

## Flameproof Specification

Specification	Standard product	Option
<b>Frame sizes</b>	90 - 315	
<b>Enclosure</b>	IP55	IP56, IP65, IP66, IP67* or IP68*
<b>Mounting option</b>	Foot (B3), Flange (B5), Face (B14) or Pad (B30)	Foot & Flange (B35), Foot & Face (B34)
<b>Terminal box position</b>	90 - 180: Right hand side 200 - 315: Top	Left hand side, top Right hand side, left hand side
<b>Voltage</b>	3 kW and below: 220-240 / 380-415 4 kW and above: 380-415	-
<b>Frequency</b>	50 Hz	60 Hz
<b>Cooling</b>	IC411	IC410 & IC418
<b>Bearing location</b>	Drive end	Non drive end
<b>Lubrication</b>	90 - 180 double-shielded bearings 200 - 315 regreasing facility	Regreasing facility -
<b>Insulation</b>	class F	class H
<b>Temperature rise</b>	class B	class F
<b>Paint colour</b>	water blue (RAL 5021)	on request
<b>Fan cover</b>	Steel	-
<b>Thermal protection</b>	200 - 355 (by thermistors)	90 - 180
<b>Anti condensation heaters</b>	-	90 - 315
<b>Inverter Duty</b> (with derate)	Variable Torque: 10:1 Constant Torque: 2:1	- Alternative speed range
<b>Ambient temperature</b>	-20°C to +40°C	-55°C to +60°C
<b>AC &amp; DC brake option</b>	-	90 - 315

The above specification and options give a brief summary of features available for the W-EF flameproof range. For a full listing of optional features, please contact Brook Crompton sales.  
\* IP67 & 68 only available on frame sizes 90 to 180

### W flameproof range

Brook Crompton's flameproof motors are designated Ex d flameproof and are designed for operation in Zone 1 hazardous areas.

They comply with all relevant national and international standards. They are of a rugged cast iron construction to withstand an internal explosion.

Outputs range from 0.37kW to 200kW with smaller or larger outputs on request.

Standard motors are suitable for applications classified T4, in addition, T5 and T6 can be supplied, although this may involve reduced outputs

### Special build options:

- Ex de IIB or IIC
- Group I mining
- Special shaft dimensions
- Special voltage
- Low starting torque
- Offshore
- Roller bearing
- plus many more

### Multi-Mount (200 frames and above)

By simply changing the position of the feet, the user is able to obtain right, left or top mounted terminal box positions and by removing the standard endshield you can change it for a flange or face version.



Frame sizes  
90 - 315



High  
Efficiency



IP55, IP56  
IP65 or IP66



Baseefa  
certified



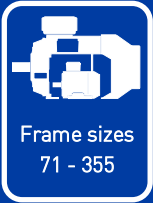
3 year  
warranty



Catalogue  
2205E

# W EEx nA (IEC & BS)

12 Zone 2, T3



## EEx nA Specification

Specification	Standard product	Option
Frame sizes	71 - 355	
Enclosure	IP55	IP56, IP65, IP66
Mounting option	Foot (B3), Flange (B5), Face (B14) or Pad (B30)	Foot & Flange (B35), Foot & Face (B34)
Terminal box position	Top	Right hand side, left hand side
Voltage	3 kW and below: 230 / 400	-
	4 kW and above: 400 / 690	-
Frequency	50 Hz	60 Hz
Cooling	IC411	-
Bearing location	Non drive end	Drive end
Lubrication	71 - 180 double-shielded bearings	-
	200 - 355 regreasing facility	-
Insulation	class F	class H
Temperature rise	class B	class F
Paint colour	water blue (RAL 5021)	on request
Fan cover	Steel	-
Thermal protection	200 - 355 (by thermistors)	71 - 180
Anti condensation heaters	-	71 - 180
Drain holes	160 - 180	71 - 132
Inverter Duty (with derate)	Variable Torque: 10:1	-
	Constant Torque: 2:1	Alternative speed range
Ambient temperature	-20°C to +40°C	-55°C to +60°C

The above specification and options give a brief summary of features available for the W EEx nA range. For a full listing of optional features, please contact Brook Crompton sales.

### W EEx nA range

The construction of EEx nA motors is similar to standard TEFV motors but with special attention made to eliminate the production of arcs, sparks or dangerous surface temperatures. Air gap concentricity is rigidly inspected throughout manufacture.

The structure of the motor is also impacted tested. All motors comply with the requirements of the relevant ATEX directive.

### Special build options:

- Multi speed
- Special shaft / special flange dimensions
- Special paint
- Special voltage
- Low starting torque
- Roller bearing
- plus many more

### Multi-Mount

By simply changing the position of the feet, the user is able to obtain right, left or top mounted terminal box positions and by removing the standard endshield you can change it for a flange or face version.



Catalogue  
2204E

# W Dust ignition proof (IEC & BS)

Zone 21 or Zone 22

13

## Dust ignition proof Specification

Specification	Standard product	Option
<b>Frame sizes</b>	71 - 355	
<b>Enclosure</b>	IP55	IP56, IP65, IP66
<b>Mounting option</b>	Foot (B3), Flange (B5), Face (B14) or Pad (B30)	Foot & Flange (B35), Foot & Face (B34)
<b>Terminal box position</b>	Top, (80 frame right hand side)	Right hand side, left hand side
<b>Voltage</b>	3 kW and below: 230 / 400	-
	4 kW and above: 400 / 690	-
<b>Frequency</b>	50 Hz	60 Hz
<b>Cooling</b>	IC411	-
<b>Bearing location</b>	Drive end	Non drive end
<b>Lubrication</b>	71 - 180 double-shielded bearings	Regreasing facility
	200 - 355 regreasing facility	-
<b>Insulation</b>	class F	class H
<b>Temperature rise</b>	class B	class F
<b>Paint colour</b>	water blue (RAL 5021)	on request
<b>Fan cover</b>	Steel	-
<b>Thermal protection</b>	200 - 355 (by thermistors)	80 - 180
<b>Anti condensation heaters</b>	-	80 - 355
<b>Drain holes</b>	160 - 355	80 - 132
<b>Inverter Duty</b> (with derate)	Variable Torque: 10:1	-
	Constant Torque: 2:1	Alternative speed range
<b>Ambient temperature</b>	-20°C to +40°C	-55°C to +60°C

The above specification and options give a brief summary of features available for the W dust ignition proof range. For a full listing of optional features, please contact Brook Crompton sales.

## W Dust Ignition Proof range

The construction of Dust Ignition Proof motors is similar to standard TEFV motors but with special attention made to eliminate the production of arcs, sparks or dangerous surface temperatures. Air gap concentricity is rigidly inspected throughout manufacture.

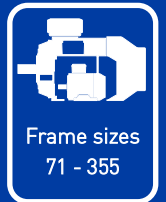
The structure of the motor is also impacted tested. All motors comply with the requirements of the relevant ATEX directive.

## Special build options:

- Multi speed
- Special shaft / special flange dimensions
- Special paint
- Special voltage
- Low starting torque
- Roller bearing
- plus many more

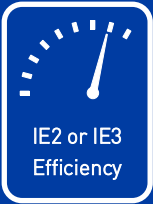
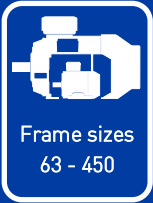
## Multi-Mount

By simply changing the position of the feet, the user is able to obtain right, left or top mounted terminal box positions and by removing the standard endshield you can change it for a flange or face version.



# CD range (IEC)

14 Zone 1, Zone 2 or Zone 21, 22



## CD IIC T4 Ex de Specification

Specification	Standard product	Option
Frame sizes	63 - 450	
Enclosure	IP55	IP56, IP66
Mounting option	Foot (B3), Flange (B5), Face (B14)	Foot & Flange (B35), Foot & Face (B34)
Terminal box position	Top	Right hand side, left hand side
Voltage	4 kW and below: 230 / 690	on request
	5.5 kW and above: 400 / 690	on request
Frequency	50 Hz	60 Hz
Cooling	IC411*	IC416
Bearing location	Drive end	Non drive end
Lubrication	63 - 280 double-shielded bearings	regreasing facility 63 - 280
	315 - 450 regreasing facility	
Insulation	class F	class H
Temperature rise	class B	class F
Paint colour	Azure blue (RAL 5009)	on request
Fan cover	Steel	on request
Thermal protection	-	63 - 450
Anti condensation heaters	-	63 - 450
Temperature class	T4	T5, T6 (with derate)
Inverter Duty (with derate)	Variable Torque: wide range	-
	Constant Torque: wide range	-
Inverter Integrated	80 - 160	-
Ambient temperature	-20°C to +40°C	-55°C to +60°C
AC & DC brake	80 - 250 external brake	above 250 on request

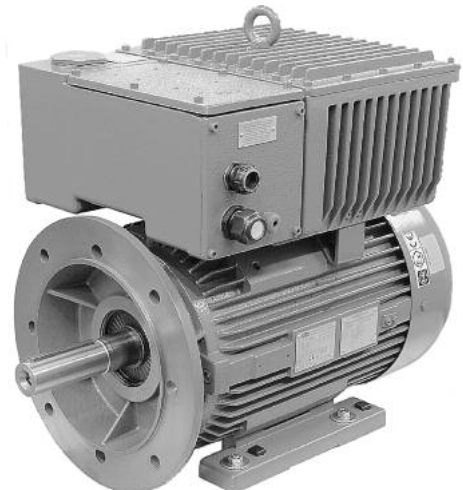
The above specification and options give a brief summary of features available for the CD range. For a full listing of optional features, please contact Brook Crompton sales.  
\* 63 frame is built without fan & fan cover

## CD Ex d(e) IIC range

These flameproof motors are designed for operation in Zone 1,2 (with option for 21, 22) hazardous areas. They comply with all relevant national and international standards. They are of cast iron or steel construction, certified to withstand internal explosion.

### Special build options:

- Multi speed
- Encoder
- Force ventilated
- Roller bearing
- Special shaft / special flange dimensions
- Special paint
- Offshore
- Water cooled



Typical CD Ex de IIC motor fitted with integrated inverter

# BD range (IEC)

Zone 1, Zone 2 or Zone 21, 22

15

## BD IIB T4 Ex de Specification

Specification	Standard product	Option
<b>Frame sizes</b>	63 - 450	500
<b>Enclosure</b>	IP55	IP56, IP66
<b>Mounting option</b>	Foot (B3), Flange (B5), Face (B14)	Foot & Flange (B35), Foot & Face (B34)
<b>Terminal box position</b>	Top	Right hand side, left hand side
<b>Voltage</b>	4 kW and below: 230 / 400	on request
	5.5 kW and above: 400 / 690	on request
<b>Frequency</b>	50 Hz	60 Hz
<b>Cooling</b>	IC411*	IC416
<b>Bearing location</b>	Drive end	Non drive end
<b>Lubrication</b>	63 - 280 double-shielded bearings	63 - 280 regreasing facility
	315 - 500 regreasing facility	
<b>Insulation</b>	class F	class H
<b>Temperature rise</b>	class B	class F
<b>Paint colour</b>	Azure blue (RAL 5009)	on request
<b>Fan cover</b>	Steel	on request
<b>Thermal protection</b>	-	63 - 450
<b>Anti condensation heaters</b>	-	63 - 450
<b>Temperature class</b>	T4	T5, T6 (with derate)
<b>Inverter Duty</b> (with derate)	Variable Torque: wide range	-
	Constant Torque: wide range	-
<b>Ambient temperature</b>	-20°C to +40°C	-55°C to +60°C
<b>AC &amp; DC brake</b>	80 - 132 integrated	-
	80 - 250 external	above 250 on request

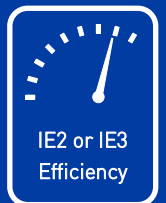
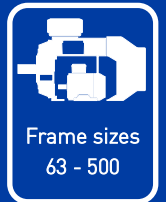
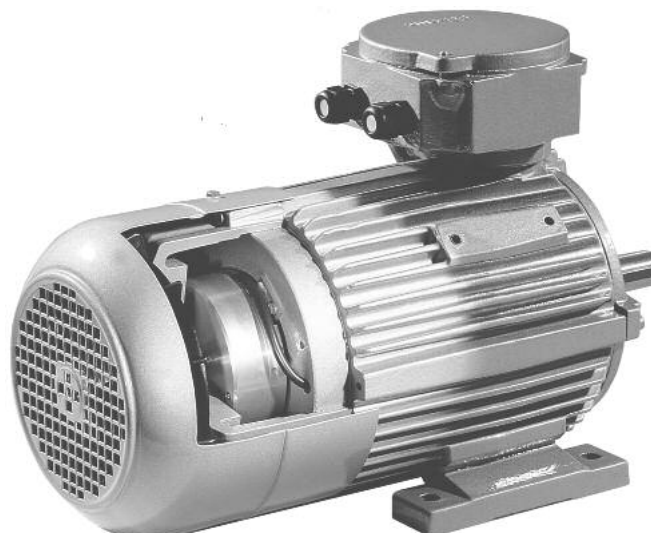
The above specification and options give a brief summary of features available for the BD Ex d(e) range.  
For a full listing of optional features, please contact Brook Crompton sales.  
\* 63 frame is built without fan & fan cover

## BD Ex d(e) IIB range

These flameproof motors are designed for operation in Zone 1,2 (with option for 21, 22) hazardous areas. They comply with all relevant national and international standards. They are of cast iron or steel construction, certified to withstand internal explosion.

### Special build options:

- Multi speed
- Encoder
- Force ventilated
- Roller bearing
- Special shaft / special flange dimensions
- Special paint
- Offshore
- Water cooled



# Stock modification hazardous area products

16

Due to the adaptable design features of the Brook Crompton motor range, stock modifications are a very important factor in finding the right solution with competitive lead times.

Where standard motors are suitable for an application or electrical / mechanical changes are required, Brook Crompton can react to these needs **quickly**.

The Brook Crompton stock modification service is one of the major benefits in supplying industry worldwide

Brook Crompton UK can carry out the following modifications on our extensive stock of hazardous area products:.

Ingress protection IP56, IP65 or IP66

Modification from Foot to B35 (Foot & Flange) or B34 (Foot & C face)

Fit drip proof canopy / impact canopy

Anti condensation heaters

Thermistors

Inverter rating

Insulated bearing

Terminal box position changes

Ex d to Ex de increased safety

The list above shows the most popular stock modifications, please contact the sales office for more information on available stock modifications to our hazardous area range.



Schorch

Brook Crompton has a key association with the Schorch brand offering quality solutions where Schorch motors are the specialist in the field.

Brook Crompton's Huddersfield office is the centre of contact in the UK where Schorch products are required.

The Schorch range of motors are custom made to many specifications which include the following variants:

#### Low voltage

- IP23 and IP55 - Efficiency class IE2
- Frame size 63 to 560
- Degree of protection from IP23 to IP65
- Single and pole change speeds
- Types of protection Ex e, Ex n
- Ex d for ambient temperatures as low as -50°C
- Converter-controlled machines
- Energy-saving designs (optimised efficiency)
- High-Speed Machines up to 15,000 rpm & 500kW
- Motors for marine applications to regulations of international classification societies

#### High voltage

Surface cooled (IC411)

- To relevant standards: IEC, VDE, DIN, ISO, EN
- Degree of protection IP55, cooling IC411
- Non sparking to IEC 60079-15
- Explosion protection Exe to EN 60079
- Rated voltages from 2 to 11 kV
- Rated frequency 50 or 60Hz
- No. of poles 2 to 8 (higher on request)
- Construction IM B3 and IM V1 (others on request)

Tube cooled (air / water)

- Tube-cooled (air or water) machines up to 17,000 kW
- Explosion-protected machines to types of protection
- 'Pressurised enclosure' & 'Flameproof' up to 10,000 kW
- Vibration-protected machines for e.g. shredder drives
- Low-noise machines

Modular design (air / water)

- Degrees of protection: IP23(R), IPW24(R), IP54, IP55
- Directly air-cooled or with air/water heat exchanger
- All customary types of construction, both vertical & horizontal
- Antifriction and/or sleeve bearings
- Designed and constructed to all relevant and customary national and international standards.

#### High speed

- To relevant standards IEC, VDE, DIN, ISO, EN
- Degree of protection IP23
- Types of construction IMB3, IMB5, IMB35, IMV1
- Independent ventilation
- Number of poles 2
- Speeds up to 9,000rpm
- Thermal Class F
- Voltage 400V or 500V (690V on request)
- Suitable for IGBT converter control
- Suitable for operation with constant load torque

For more information on the Schorch product range, please contact the sales office

# Brook Crompton partner - Sever

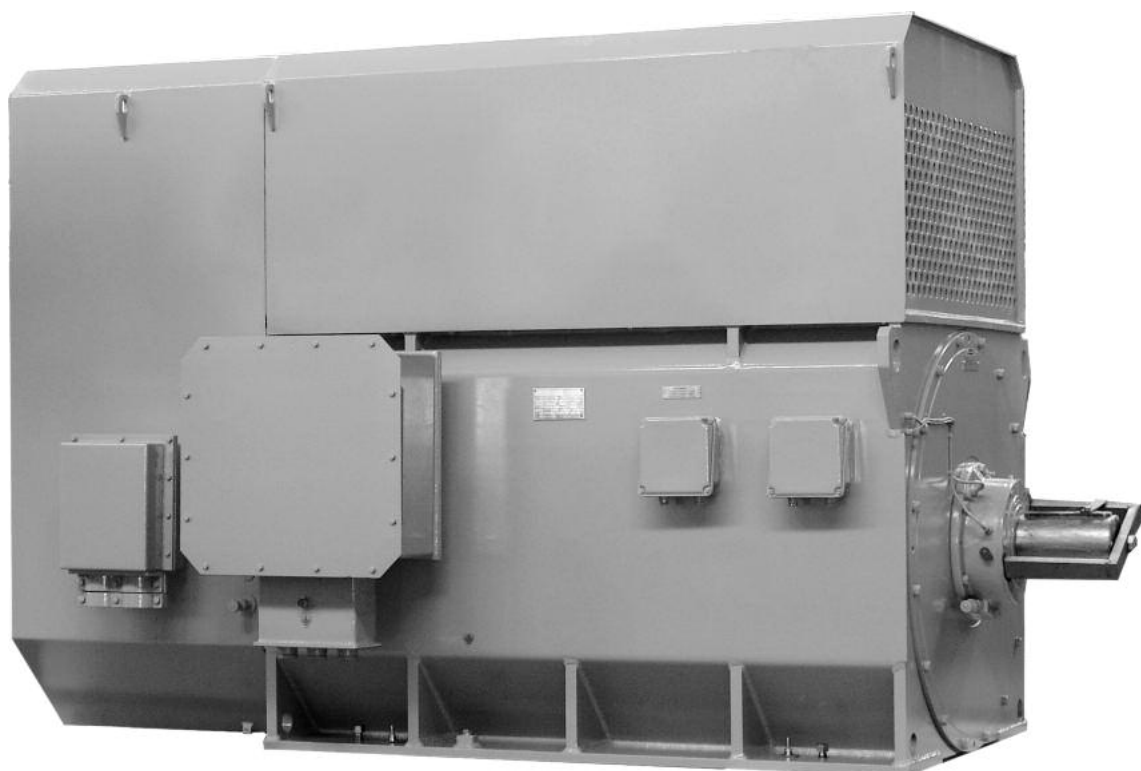
18

High / medium voltage & hydro electric generators

Brook Crompton has a complimentary high / medium voltage range of motors. Understanding the customers needs is key to finding the correct motor for each specific application.

Brook Crompton has a variety of options to tailor make motors to each industrial requirement, whether in a standard cast iron TEFV frame, fabricated steel frame motor with heat exchanger or even water cooled.

Brook Crompton partner Sever also offer a range of hydroelectric generators, for more information on these product ranges, please contact the sales office.



# Brook Crompton contacts

## UK, EUROPE & MIDDLE EAST

Brook Crompton UK Ltd  
St. Thomas' Road  
Huddersfield,  
HD1 3LJ

Tel: +44 (0)1484 557200  
Fax: +44 (0)1484 557201  
email: [csc@brookcrompton.com](mailto:csc@brookcrompton.com)

[www.brookcrompton.com](http://www.brookcrompton.com)

## NORTH AMERICA

Americas and Canadian Main Sales Office & Warehouse  
Brook Crompton Ltd  
264 Attwell Drive  
Toronto, Ontario  
M9W 5B2

US Main Warehouse  
Brook Crompton USA Inc  
7615 Detour Avenue  
Cleveland, Ohio  
44103

Quebec Sales office and Distribution Warehouse  
Brook Crompton Ltd  
5088 Francois Cusson Street  
Lachine, Quebec  
H8T 1B3

Call : 1-800-MOTORS-9 (press 1 for sales)  
(1-800-668-6779) OR 1-800-463-8917 (press 1 for sales)  
Locally in Toronto call 416-675-3844 (press 1 for sales)  
Locally in Quebec 1-888-668-9843  
email: [sales@brookcromptonna.com](mailto:sales@brookcromptonna.com)

[www.brookcromptonna.com](http://www.brookcromptonna.com)

## ASIA PACIFIC

Brook Crompton Asia Pacific Pte Ltd  
141 Market Street  
#07-01, International Factors Building  
Singapore 048944

Tel: +65 6227 0308  
Fax: +65 6227 0605  
email: [wegen@linjacob.com](mailto:wegen@linjacob.com)

# **BROOK CROMPTON**

Brook Crompton  
St Thomas' Road Huddersfield  
West Yorkshire HD1 3LJ UK  
Tel: +44 (0) 1484 557200  
Fax: +44 (0) 1484 557201  
E-mail: [csc@brookcrompton.com](mailto:csc@brookcrompton.com)  
Internet: [www.brookcrompton.com](http://www.brookcrompton.com)

Every care has been taken to ensure the accuracy of the information contained in this publication, but, due to a policy of continuous development and improvement the right is reserved to supply products which may differ slightly from those illustrated and described in this publication