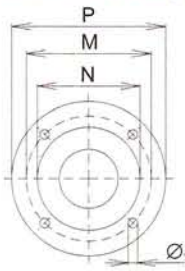


9. РАЗМЕРЫ РЕДУКТОРНЫХ ФЛАНЦЕВ ДЛЯ ДВИГАТЕЛЕЙ

Таб. 9.1 Размеры



Обозначение	M	N H7	P	S
F 65	65	50	80	5,5
F 75	75	60	90	5,5
F 85	85	70	105	6,6
F 100	100	80	120	6,6
F 115	115	95	140	10
F 130	130	110	160	10
F 165	165	130	200	12
F 215	215	180	250	15
F 265	265	230	300	15

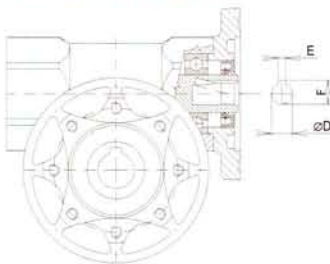
Таб. 9.2 Применение фланцев двигателей

	F 65	F 75	F 85	F 100	F 115	F 130	F 165	F 215	F 265	F 300
MRT 30A	●	●								
MRT 40A		●	●	●						
MRT 50A		●	●	●	○	○				
MRT 60A		●	●	●	●	●				
MRT 70A			●	●	●	●				
MRT 80A				○	●	●	●			
MRT 100A						●	●	●		
MRT 120A						●	●	●		
MRT 150A							●	●	●	
MRT 180A								●	●	●
MRP 40A				●						
MRP 50A				●						
MRP 60A					●					
MRP 70A					●	●				
MRP 80A						●				
MRP 100A							●			
MRP 120A							●			
MRP 150A								●		
MRP 180A								●		

Пояснение: ● стандартный фланец ○ нестандартный фланец

10. РАЗМЕРЫ ОТВЕРСТИЙ ЧЕРВЯЧНЫХ ВАЛОВ

Таб. 10.1 Размеры



Размер IEC двигателя	ØD E7	E P9	F
56	9	3	10,4
63	11	4	12,8
71	14	5	16,3
80	19	6	21,8
90	24	8	27,3
100	28	8	31,3
112	28	8	31,3
132	38	10	41,3
160	42	12	45,3

Таб. 10.2 Соответствие присвоение IEC двигателей редукторам

Размер >>	56	63	71	80	90	100	112	132	160
Ø вала >>	9	11	14	19	24	28	28	38	42
MRT 30A	●	●							
MRT 40A		●	●						
MRT 50A		●	●	●					
MRT 60A			●	●	●				
MRT 70A			●	●	●				
MRT 80A				●	●	●			
MRT 100A				●	●	●	●		
MRT 120A					●	●	●		
MRT 150A						●	●	●	
MRT 180A						●	●	●	●
MRP 40A	●	●							
MRP 50A	●	●							
MRP 60A		●	●						
MRP 70A		●	●						
MRP 80A			●						
MRP 100A				●	●				
MRP 120A				●	●				
MRP 150A						●	●		
MRP 180A						●	●		

11. КОМБИНАЦИИ РАЗМЕРОВ ИЕС ДВИГАТЕЛЕЙ И РЕДУКТОРОВ

Таб. 11.1

ДВИГАТЕЛЬ	56	63		71		80		90		100		112	132
диам. вала	9	11		14		19		24		28		28	38
ИЕС	B14A	B5	B14A	B5	B14A	B5	B14A	B5	B14A	B5	B14A	B5	B14B
раз. фланца	M=85	M=100	M=75	M=100	M=115	M=85	M=100	M=130	M=115	M=130	M=165	M=215	M=165
MRT 30A	F30M												
MRT 40A	F40M	F40S	F40L	F40M	F40L	F40M	F40L	F40L					
MRT 50A	F50S	F50L	(115*)	F50M	(115*)	(130*)	F50L	(130*)	(165*)	(115*)	(130*)		
MRT 60A	F60S	F60L	F60M	F60L	F60M	F60L	F60S	F60L	F60M	F60L	F60L	F60L	F60L
MRT 70A	F70S	F70L	F70M	F70L	F70M	F70L	F70S	F70L	F70M	F70L	F70L	F70L	F70L
MRT 80A	100*	F80S	100*	F80S	F80S	F80L	100*	F80M	F80L	F80M	F80L	F80M	F80L
ДВИГАТЕЛЬ	71	80		90		100		112		132		160	
диам. вала	14	19		24		28		28		38		42	
ИЕС	B14A	B5	B14A	B5	B14A	B5	B14A	B5	B14A	B5	B14A	B5	B5
раз. фланца	M=85	M=115	M=130	M=100	M=165	M=115	M=130	M=165	M=130	M=165	M=215	M=265	M=300
MRT 100A	F100S	F100M	F100S	F100M	F100M	F100L	F100S	F100M	F100M	F100L	F100M	F100M	F100M
MRT 120A	F120S	F120M	F120S	F120M	F120M	F120L	F120S	F120M	F120M	F120L	F120M	F120M	F120M
MRT 150A	F150S	F150M	F150S	F150M	F150S	F150M	F150S	F150M	F150M	F150M	F150S	F150L	F150L
MRT 180A	F180S	F180M	F180S	F180M	F180S	F180M	F180S	F180M	F180S	F180M	F180S	F180M	F180L
ДВИГАТЕЛЬ	56	63		71		80		90		100		112	
диам. вала	9	11		14		19		24		28		28	
ИЕС	B14A	B5	B14A	B5	B14A	B5	B14A	B5	B14A	B5	B14A	B5	B5
раз. фланца	M=85	M=100	M=75	M=100	M=115	M=85	M=100	M=130	M=115	M=130	M=165	M=215	M=215
MRP 40A	F40L	F40L	F40L	F40L	F40L	F40L	F40L	F40L	F40L	F40L	F40L	F40L	F40L
MRP 50A	F50L	F50L	F50L	F50L	F50L	F50L	F50L	F50L	F50L	F50L	F50L	F50L	F50L
MRP 60A	F60M	F60M	F60M	F60M	F60M	F60M	F60M	F60M	F60M	F60M	F60M	F60M	F60M
MRP 70A	F70M	F70M	F70M	F70M	F70M	F70M	F70M	F70M	F70M	F70M	F70M	F70M	F70M
MRP 80A	F80M	F80M	F80M	F80M	F80M	F80M	F80M	F80M	F80M	F80M	F80M	F80M	F80M
MRP 100A	F100M	F100M	F100M	F100M	F100M	F100M	F100M	F100M	F100M	F100M	F100M	F100M	F100M
MRP 120A	F120M	F120M	F120M	F120M	F120M	F120M	F120M	F120M	F120M	F120M	F120M	F120M	F120M
MRP 150A	F150M	F150M	F150M	F150M	F150M	F150M	F150M	F150M	F150M	F150M	F150M	F150M	F150M
MRP 180A	F180M	F180M	F180M	F180M	F180M	F180M	F180M	F180M	F180M	F180M	F180M	F180M	F180M

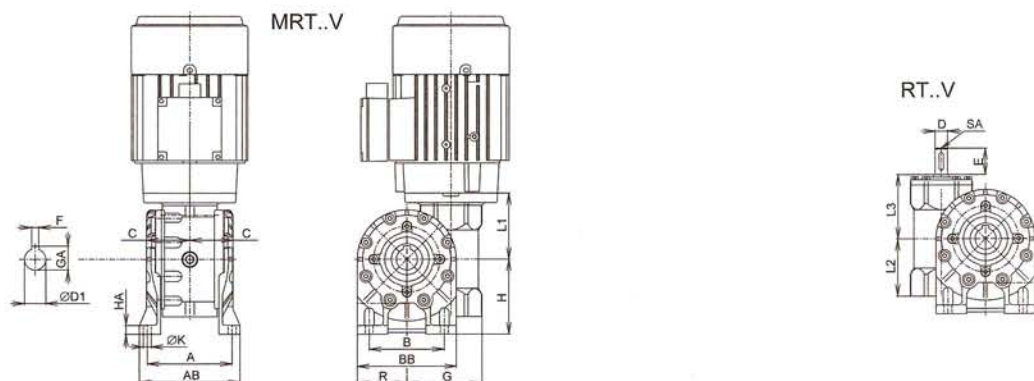
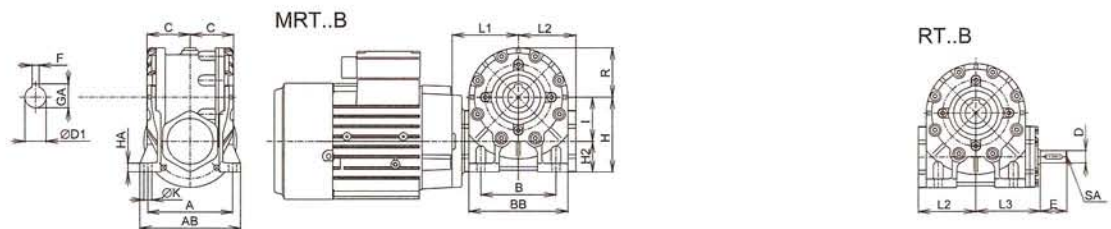
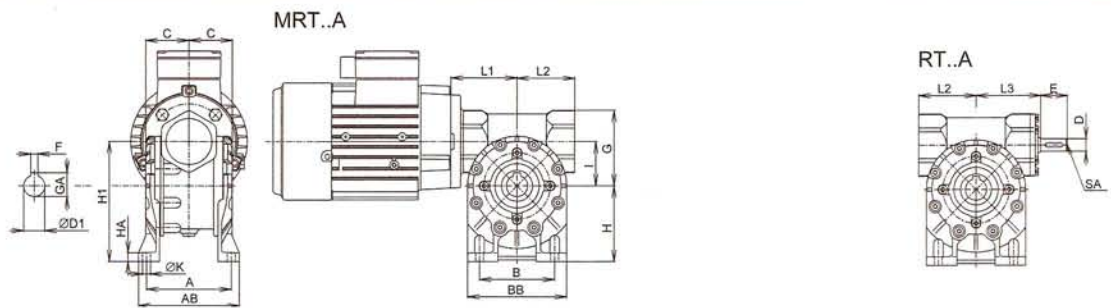
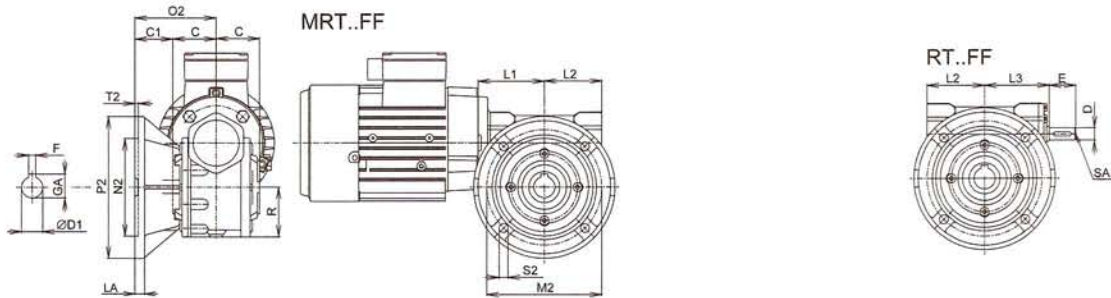
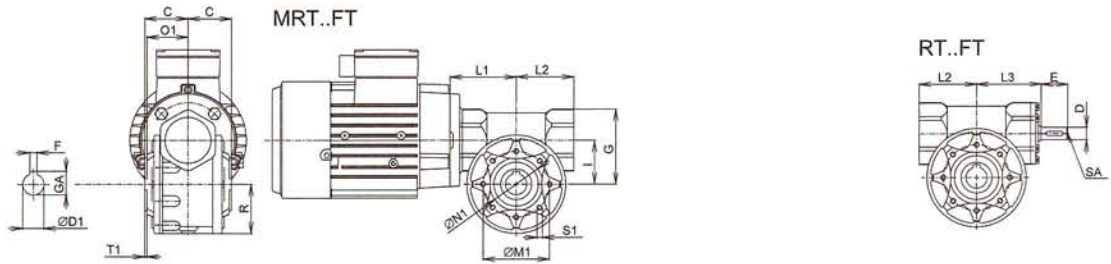
Необходима переделка двигателя (уменьшить диаметр вала)

Необходимо применить переходную втулку к двигателю

(*) Нестандартный фланец (по отдельному запросу)

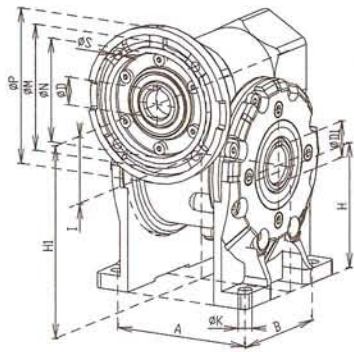
12. РАЗМЕРЫ РЕДУКТОРОВ

Таб. 12.1 Чертежи размеров

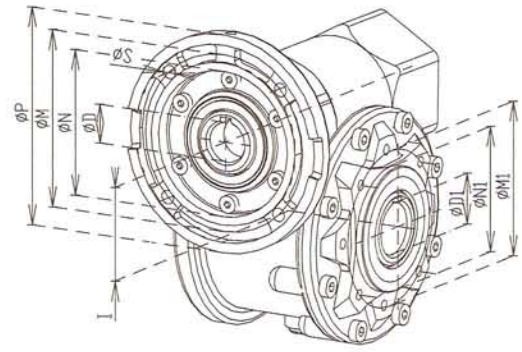


Таб. 12.1 Чертежи размеров

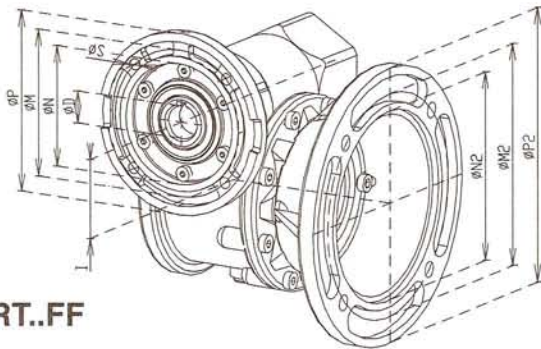
MRT..A



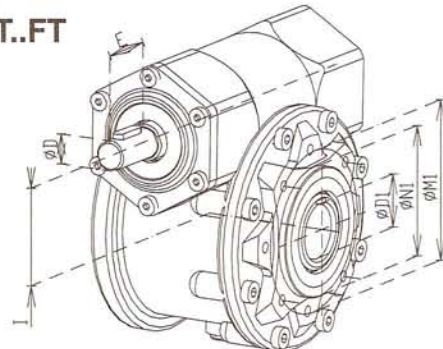
MRT..FT



MRT..FF

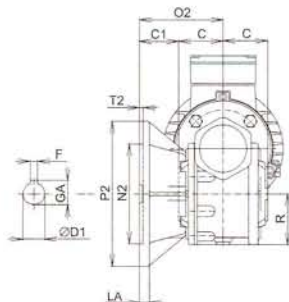


RT..FT

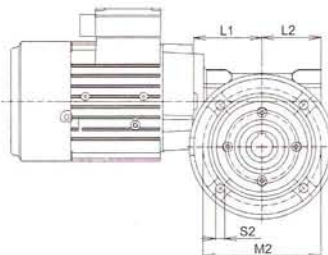


Размер	A	AB	B	BB	C	D1H7	Dk6	E	F	GA	G	H	H1	H2	HA	I	K	R
(M)RT 30A	66	80	50+55	82	31,5	14 (16)	9	20	5	16,3	51	52	82	22	6	30	7	42
(M)RT 40A	84	100	70	96	41,0	19 (20)	11	23	6	21,8	70	71	111	31	8	40	7	48
(M)RT 50A	96	114	85	112	49,0	24	14	30	8	27,3	84	85	135	35	10	50	9	56
(M)RT 60A	111	137	95	140	60,0	25	19	40	8	28,3	99	100	160	40	12	60	11	70
(M)RT 70A	115	141	120	156	60,5	28 (30)	19	40	8	31,3	109	115	185	45	12	70	11	76
(M)RT 80A	147	180	140	180	70,0	35	24	50	10	38,3	128	142	222	62	13	80	11	90

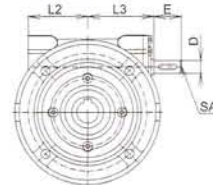
Размер	C1	L1	L2	L3	LA	SA	M1	N1	O1	S1	T1	M2	N2	P2	O2	S2	T2
(M)RT 30A	18,5	55	46	48	6	M3×9	65	55	29,0	M6×7	2,5	65	50	80	50,0	6,5	4
(M)RT 40A	41,0	65	57	63	11	M4×10	65	50	38,5	M6×12	2,5	115	95	140	82,0	9,0	4
(M)RT 50A	43,0	75	65	73	11	M5×12	75	60	46,5	M6×12	2,5	130	110	160	92,0	10,0	4
(M)RT 60A	42,0	93	75	91	12	M6×16	85	70	57,5	M6×12	2,5	165	130	200	102,0	11,0	4
(M)RT 70A	51,0	101	81	99	12	M6×16	100	80	57,0	M8×16	3,5	165	130	200	111,5	11,0	5
(M)RT 80A	50,0	110	95	108	12	M8×19	130	110	66,5	M10×16	3,5	165	130	200	120,0	11,0	5



MRT..FB



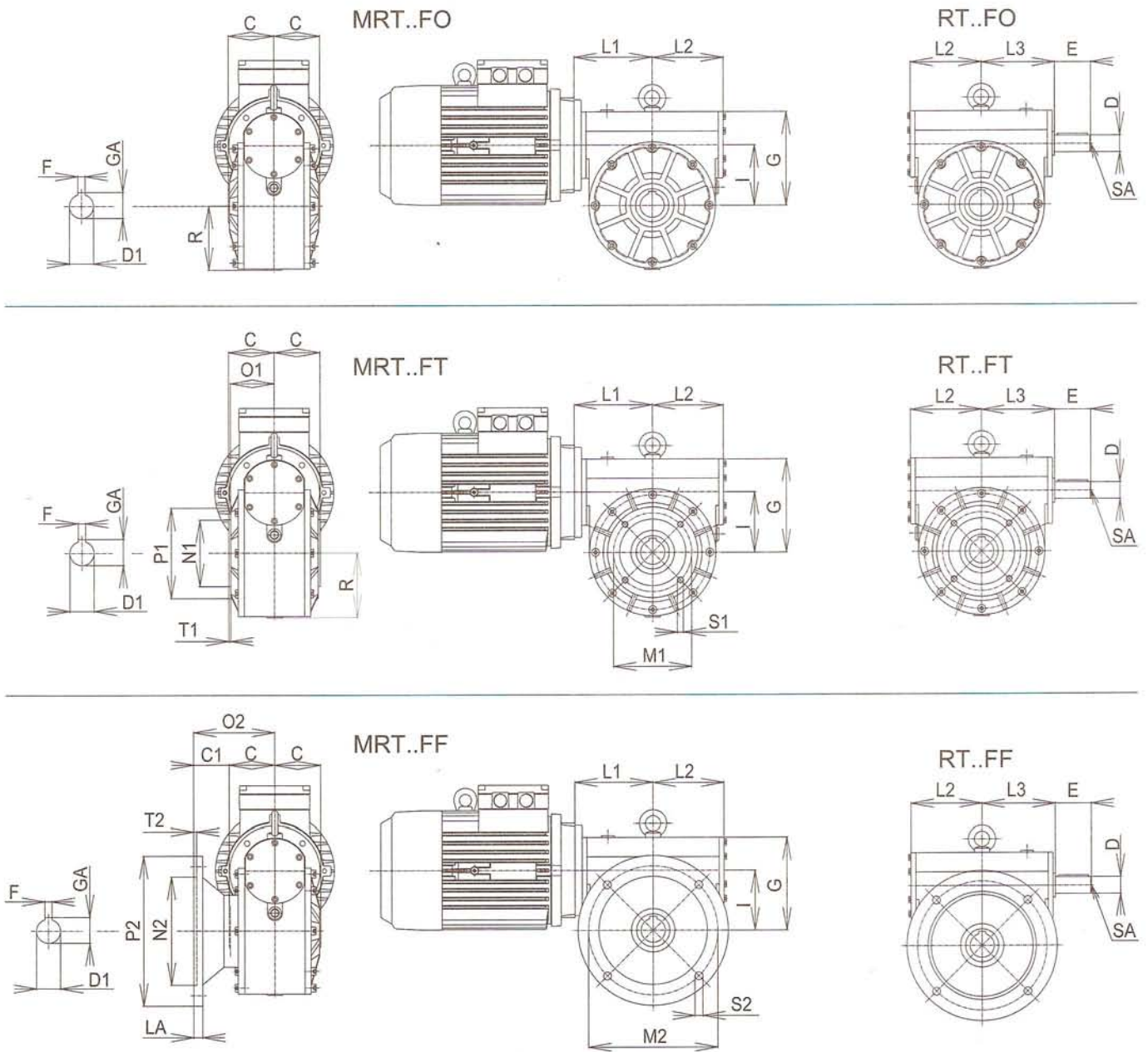
RT..FB



Размер	A	AB	B	BB	C	D1H7	Dk6	E	F	GA	G	H	H1	H2	HA	I	K	R
(M)RT 30A	66	80	50+55	82	31,5	14	9	20	5	16,3	51	52	82	22	6	30	7	42
(M)RT 40A	84	100	70	96	41,0	19	11	23	6	21,8	70	71	111	31	8	40	7	48

Размер	C1	L1	L2	L3	LA	M2	N2	P2	O2	S2	T2
(M)RT 30A	33,5	55	46	48	7	75	60	90	65,0	6,5	4
(M)RT 40A	56,5	65	57	63	7	75	60	95	97,5	6,5	4

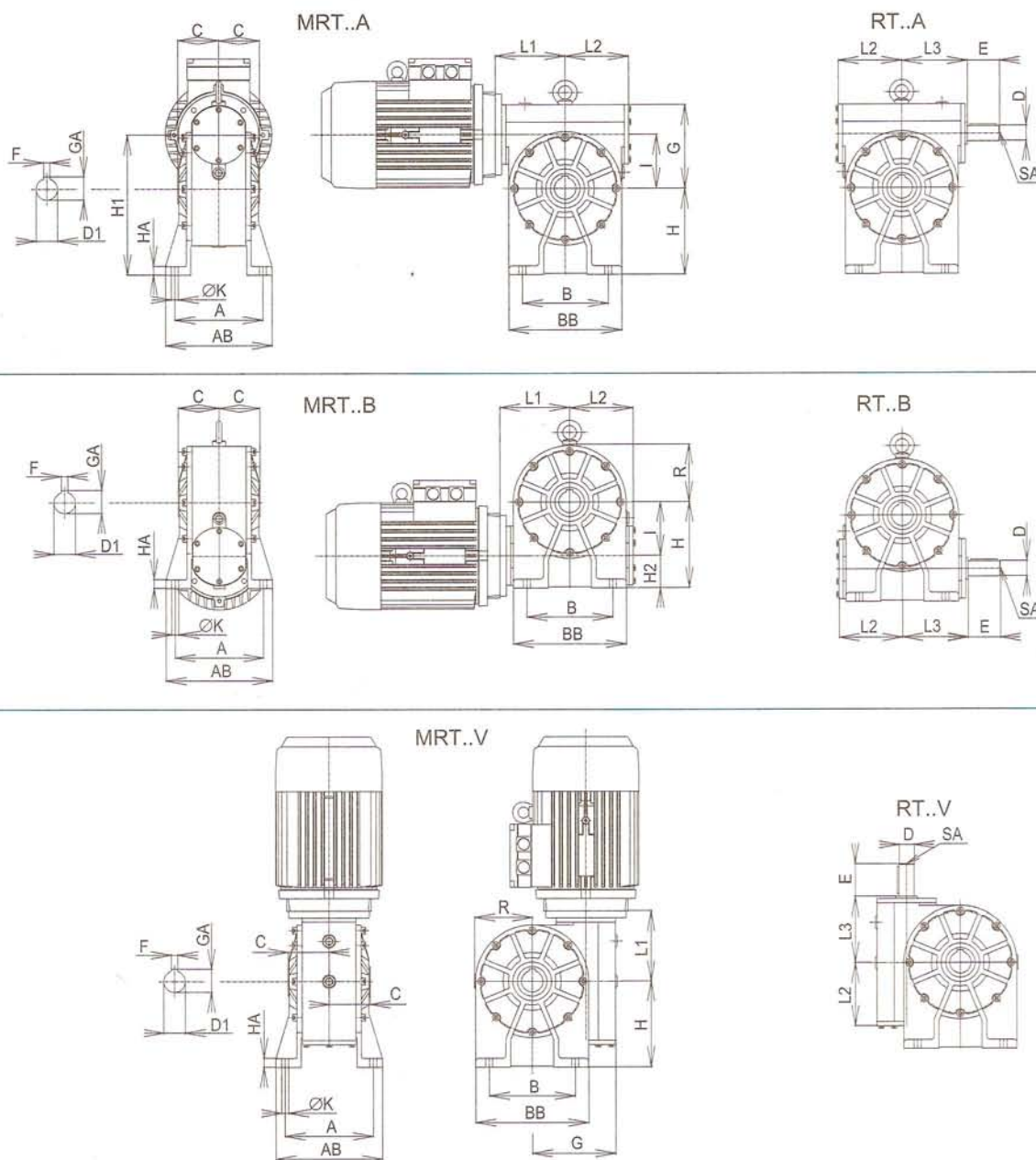
Таб. 12.2 Чертежи размеров



Размер	A	AB	B	BB	C	D1H7	Dk6	E	F	GA	G	H	H1	H2	HA	I	K	R
(M)RT 100A	164	198	160	210	76	40 (42)	28	60	12	43,3	155	160	260	60	16,5	100	13	107
(M)RT 120A	180	216	200	250	86	45 (48)	38	80	14	48,8	175	185	305	65	18,0	120	15	128
(M)RT 150A	220	260	270	340	110	55	42	110	16	59,0	219	230	380	80	20,0	150	19	160
(M)RT 180A	264	318	300	370	132	60	48	110	18	65,2	264	280	460	100	22,0	180	22	189

Размер	C1	L1	L2	L3	LA	SA	M1	N1	O1	S1	T1	M2	N2	P2	O2	S2	T2
(M)RT 100A	59	130	117	122	15	M8×19	130	110	72,5	M10×20	5	215	180	250	135	13	3,5
(M)RT 120A	59	152	138	144	15	M10×22	165	130	80,5	M12×25	5	215	180	250	145	13	3,5
(M)RT 150A	98	188	171	179	20	M12×25	215	180	106,0	M14×25	6	300	250	350	208	17	4,0
(M)RT 180A	88	223	202	218	20	M16×25	265	230	129,0	M16×25	5	300	300	400	220	18	4,0

Таб. 12.3 Чертежи размеров

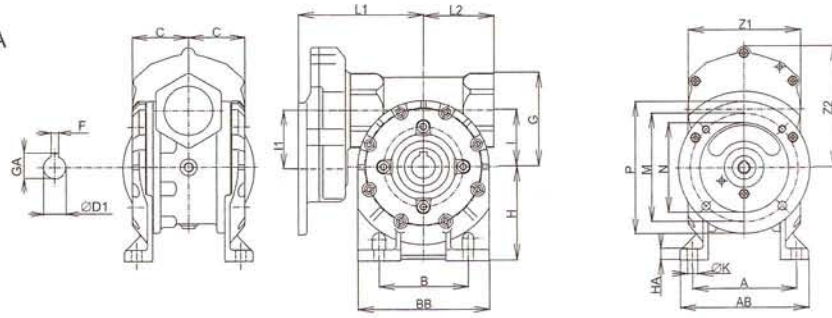


Размер	A	AB	B	BB	C	D1H7	Dk6	E	F	GA	G	H	H1	H2	HA	I	K	R
(M)RT 100A	164	198	160	210	76	40 (42)	28	60	12	43,3	155	160	260	60	16,5	100	13	107
(M)RT 120A	180	216	200	250	86	45 (48)	38	80	14	48,8	175	185	305	65	18,0	120	15	128
(M)RT 150A	220	260	270	340	110	55	42	110	16	59,0	219	230	380	80	20,0	150	19	160
(M)RT 180A	264	318	300	370	132	60	48	110	18	65,2	264	280	460	100	22,0	180	22	189

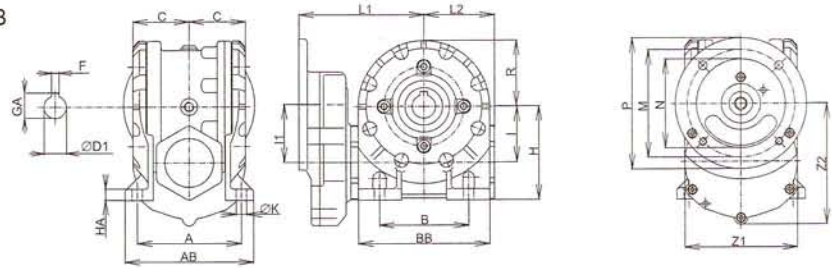
Размер	C1	L1	L2	L3	LA	SA	M1	N1	O1	S1	T1	M2	N2	P2	O2	S2	T2
(M)RT 100A	59	130	117	122	15	M8×19	130	110	72,5	M10×20	5	215	180	250	135	13	3,5
(M)RT 120A	59	152	138	144	15	M10×22	165	130	80,5	M12×25	5	215	180	250	145	13	3,5
(M)RT 150A	98	188	171	179	20	M12×25	215	180	106,0	M14×25	6	300	250	350	208	17	4,0
(M)RT 180A	88	223	202	218	20	M16×25	265	230	129,0	M16×25	5	300	300	400	220	18	4,0

Таб. 12.4 Чертежи размеров

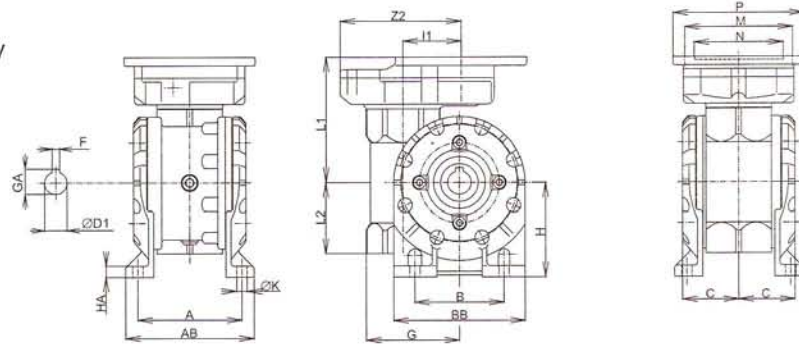
MRP..A



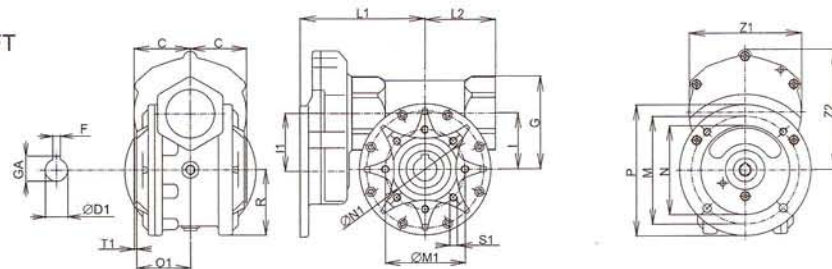
MRP..B



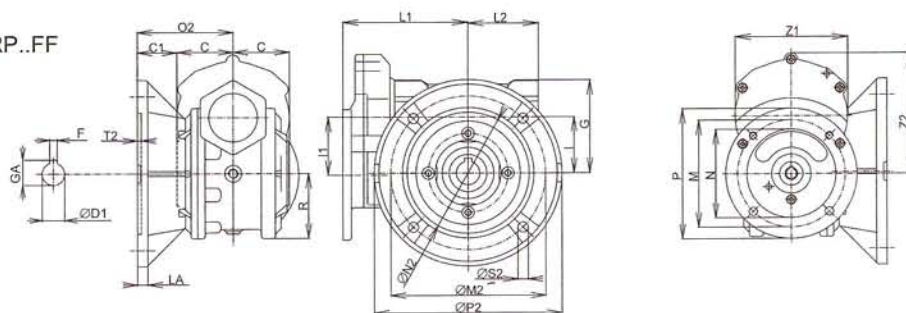
MRP..V



MRP..FT



MRP..FF



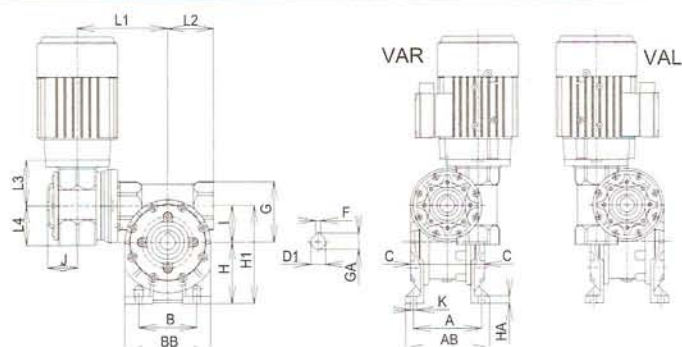
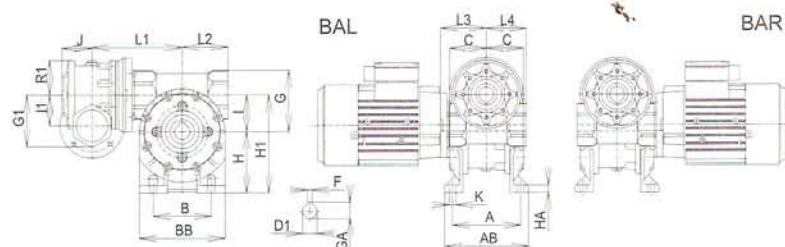
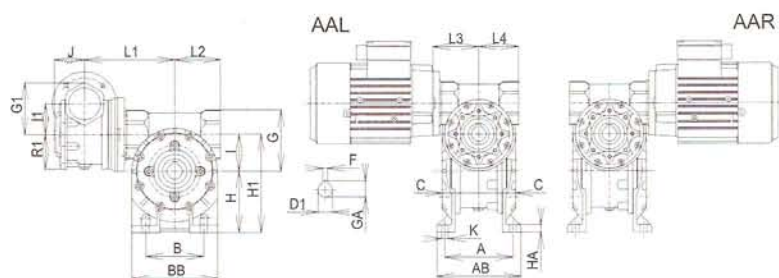
Таб. 12.4 Чертежи размеров

Размер	A	AB	B	BB	C	D1H7	F	GA	G	H	HA	I	I1	K	R	Z1	Z2
MRP 40A	84	100	70	96	41,0	19	6	21,8	70	71	8,0	40	36	7	48	73	75,5
MRP 50A	96	114	85	112	49,0	24	8	27,3	84	85	10,0	50	32	9	56	73	75,5
MRP 60A	111	137	95	140	60,0	25	8	28,3	99	100	12,0	60	62	11	70	120	129,0
MRP 70A (P60)	115	141	120	156	60,5	28	8	31,3	109	115	12,0	70	62	11	76	128	137,0
MRP 70A (P80)	115	141	120	156	60,5	28	8	31,3	109	115	12,0	70	66	11	76	128	137,0
MRP 80A	147	180	140	180	70,0	35	10	38,3	128	142	13,0	80	66	11	90	128	137,0
MRP 100A	164	198	160	210	76,0	40	12	43,3	155	160	16,5	100	80	13	107	154	165,0
MRP 120A	180	216	200	250	86,0	45	14	48,8	175	185	18,0	120	80	15	128	154	165,0
MRP 150A	220	260	270	340	110,0	55	16	59,0	219	230	20,0	150	100	19	160	210	217,0
MRP 180A	264	318	300	370	132,0	60	18	65,2	264	280	22,0	180	100	22	189	210	217,0

Размер	C1	L1	L2	LA	M	N	P	M1	N1	O1	S1	T1	M2	N2	P2	O2	S2	T2
MRP 40A	41	103	57	11	100	80	120	65	50	38,5	M6×12	2,5	115	95	140	82,0	9	4
MRP 50A	43	113	65	11	100	80	120	75	60	46,5	M6×12	2,5	130	110	160	92,0	10	4
MRP 60A	42	130	75	12	115	95	140	85	70	57,5	M6×12	2,5	165	130	200	102,0	11	4
MRP 70A (P60)	51	143	81	12	115	95	140	100	80	57,0	M8×16	3,5	165	130	200	111,5	11	5
MRP 70A (P80)	51	156	81	12	130	110	160	100	80	57,0	M8×16	3,5	165	130	200	111,5	11	5
MRP 80A	50	165	95	12	130	110	160	130	110	66,5	M10×16	3,5	165	130	200	120,0	11	5
MRP 100A	76	190	117	15	165	130	200	130	110	72,5	M10×20	3,5	215	180	250	135,0	13	5
MRP 120A	86	220	138	15	165	130	200	165	130	80,5	M12×25	3,5	215	180	250	145,0	13	5
MRP 150A	110	275	171	20	215	180	250	215	180	106,0	M14×25	4,0	300	250	350	208,0	17	6
MRP 180A	132	305	202	20	215	180	250	265	230	129,0	M16×25	4,0	350	300	400	220,0	18	5

Примечание: MRP 70A (P60) имеет идентичный перебор с MRP 60A
 MRP 70A (P80) имеет идентичный перебор с MRP 80A

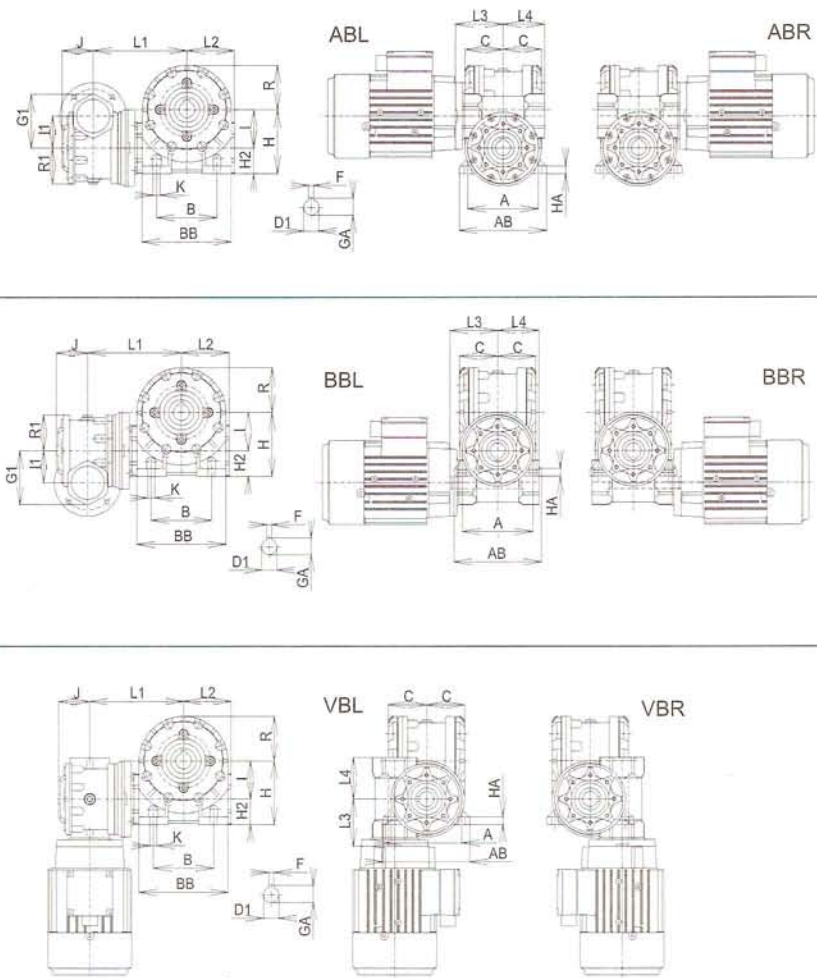
Таб. 12.5 Чертежи размеров



Размер	A	AB	B	BB	C	D1H7	F	GA	G	H	G1	H1	H2	HA	I	I1	J	K
(M)RT 30×30	66	80	50÷55	82	31,5	14	5	16,3	51	52	51	82	22	6,0	30	30	31,5	7
(M)RT 30×40	84	100	70	96	41,0	19	6	21,8	70	52	51	111	31	8,0	40	30	31,5	7
(M)RT 30×50	96	114	85	112	49,0	24	8	27,3	84	62	51	135	35	10,0	50	30	31,5	9
(M)RT 40×50	96	114	85	112	49,0	24	8	27,3	84	71	70	135	35	10,0	50	40	41,0	9
(M)RT 40×60	111	137	95	140	60,0	25	8	28,3	99	71	70	160	40	12,0	60	40	41,0	11
(M)RT 40×70	115	141	120	156	60,5	28	8	31,3	109	71	70	185	45	12,0	70	40	41,0	11
(M)RT 50×60	111	137	95	140	60,0	25	8	28,3	99	100	84	160	40	12,0	60	50	49,0	11
(M)RT 50×70	115	141	120	156	60,5	28	8	31,3	109	115	84	185	45	12,0	70	50	49,0	11
(M)RT 50×80	147	180	140	180	70,0	35	10	38,3	128	142	84	222	62	13,0	80	50	49,0	11
(M)RT 70×100	164	198	160	210	76,0	40	12	43,3	155	160	109	260	60	16,5	100	70	60,5	13
(M)RT 80×100	164	198	160	210	76,0	40	12	43,3	155	160	128	260	60	16,5	100	80	70,0	13
(M)RT 80×120	180	216	200	250	86,0	45	14	48,8	175	185	128	305	65	18,0	120	80	70,0	15
(M)RT 100×150	220	260	270	340	110,0	55	16	59,0	219	230	155	380	80	20,0	150	100	76,0	19
(M)RT 100×180	264	318	300	370	132,0	60	18	65,2	264	230	155	460	100	22,0	180	100	76,0	22

Размер	L1	L2	L3	L4	R	R1	M1	N1	O1	S1	T1	C1	LA	M2	N2	O2	S2	T2
(M)RT 30×30	90,0	46	55	46	42	42	65	55	29,0	M6×7	2,5	18,5	6	65	50	50,0	6,5	4
(M)RT 30×40	103,0	57	55	46	48	42	65	50	38,5	M6×12	2,5	41,0	11	115	95	82,0	9,0	4
(M)RT 30×50	113,0	65	55	46	56	42	75	60	46,5	M6×12	2,5	43,0	11	130	110	92,0	10,0	4
(M)RT 40×50	124,0	65	65	57	56	48	75	60	46,5	M6×12	2,5	43,0	11	130	110	92,0	10,0	4
(M)RT 40×60	142,0	75	65	57	70	48	85	70	57,5	M6×12	2,5	42,0	12	165	130	102,0	11,0	4
(M)RT 40×70	150,0	81	65	57	76	48	100	80	57,0	M6×16	3,5	51,0	12	165	130	111,5	11,0	5
(M)RT 50×60	147,5	75	75	65	70	56	85	70	57,5	M6×12	2,5	42,0	12	165	130	102,0	11,0	4
(M)RT 50×70	155,5	81	75	65	76	56	100	80	57,0	M8×16	3,5	51,0	12	165	130	111,5	11,0	5
(M)RT 50×80	164,5	95	75	65	90	56	130	110	66,5	M10×16	3,5	50,0	12	165	130	120,0	11,0	5
(M)RT 70×100	208,5	117	101	81	107	76	130	110	72,5	M10×20	3,5	76,0	15	215	180	135,0	13,0	5
(M)RT 80×100	213,0	117	110	95	107	90	130	110	72,5	M10×20	3,5	76,0	15	215	180	135,0	13,0	5
(M)RT 80×120	235,0	138	110	95	128	90	165	130	80,5	M12×25	3,5	86,0	15	215	180	145,0	13,0	5
(M)RT 100×150	238,0	171	130	117	160	107	215	180	106,0	M14×25	4,0	110,0	20	300	250	208,0	17,0	6
(M)RT 100×180	304,0	202	130	117	189	107	265	230	129,0	M16×25	4,0	132,0	20	350	300	220,0	18,0	5

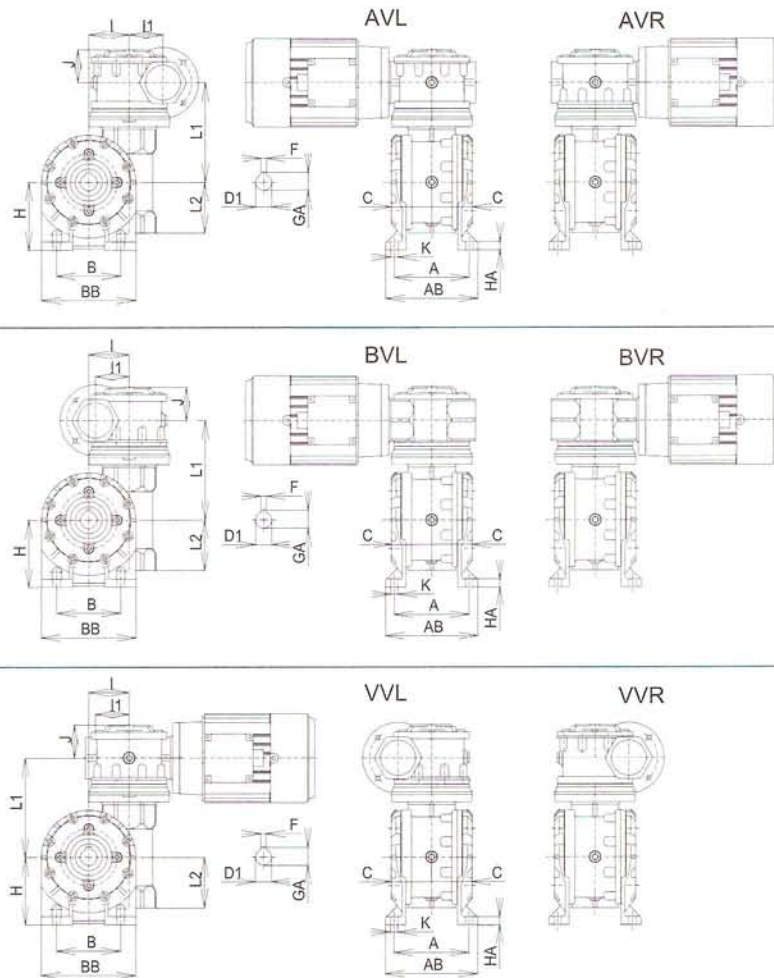
Таб. 12.6 Чертежи размеров



Размер	A	AB	B	BB	C	D1H7	F	GA	G	H	G1	H1	H2	HA	I	I1	J	K
(M)RT 30x30	66	80	50÷55	82	31,5	14	5	16,3	51	52	51	82	22	6,0	30	30	31,5	7
(M)RT 30x40	84	100	70	96	41,0	19	6	21,8	70	52	51	111	31	8,0	40	30	31,5	7
(M)RT 30x50	96	114	85	112	49,0	24	8	27,3	84	52	51	135	35	10,0	50	30	31,5	9
(M)RT 40x50	96	114	85	112	49,0	24	8	27,3	84	71	70	135	35	10,0	50	40	41,0	9
(M)RT 40x60	111	137	95	140	60,0	25	8	28,3	99	71	70	160	40	12,0	60	40	41,0	11
(M)RT 40x70	115	141	120	156	60,5	28	8	31,3	109	71	70	185	45	12,0	70	40	41,0	11
(M)RT 50x60	111	137	95	140	60,0	25	8	28,3	99	100	84	160	40	12,0	60	50	49,0	11
(M)RT 50x70	115	141	120	156	60,5	28	8	31,3	109	115	84	185	45	12,0	70	50	49,0	11
(M)RT 50x80	147	180	140	180	70,0	35	10	38,3	128	142	84	222	62	13,0	80	50	49,0	11
(M)RT 70x100	164	198	160	210	76,0	40	12	43,3	155	160	109	260	60	16,5	100	70	60,5	13
(M)RT 80x100	164	198	160	210	76,0	40	12	43,3	155	160	128	260	60	16,5	100	80	70,0	13
(M)RT 80x120	180	216	200	250	86,0	45	14	48,8	175	185	128	305	65	18,0	120	80	70,0	15
(M)RT 100x150	220	260	270	340	110,0	55	16	59,0	219	230	147	380	80	20,0	150	100	76,0	19
(M)RT 100x180	264	318	300	370	132,0	60	18	65,2	264	280	147	460	100	22,0	180	100	76,0	22

Размер	L1	L2	L3	L4	R	R1	M1	N1	O1	S1	T1	C1	LA	M2	N2	O2	S2	T2
(M)RT 30x30	90,0	46	55	46	42	42	65	55	29,0	M6x7	2,5	18,5	6	65	50	50,0	6,5	4
(M)RT 30x40	103,0	57	55	46	48	42	65	50	38,5	M6x12	2,5	41,0	11	115	95	82,0	9,0	4
(M)RT 30x50	113,0	65	55	46	56	42	75	60	46,5	M6x12	2,5	43,0	11	130	110	92,0	10,0	4
(M)RT 40x50	124,0	65	65	57	56	48	75	60	46,5	M6x12	2,5	43,0	11	130	110	92,0	10,0	4
(M)RT 40x60	142,0	75	65	57	70	48	85	70	57,5	M6x12	2,5	42,0	12	165	130	102,0	11,0	4
(M)RT 40x70	150,0	81	65	57	76	48	100	80	57,0	M6x16	3,5	51,0	12	165	130	111,5	11,0	5
(M)RT 50x60	147,5	75	75	65	70	56	85	70	57,5	M6x12	2,5	42,0	12	165	130	102,0	11,0	4
(M)RT 50x70	155,5	81	75	65	76	56	100	80	57,0	M8x16	3,5	51,0	12	165	130	111,5	11,0	5
(M)RT 50x80	164,5	95	75	65	90	56	130	110	66,5	M10x16	3,5	50,0	12	165	130	120,0	11,0	5
(M)RT 70x100	208,5	117	101	81	107	76	130	110	72,5	M10x20	3,5	76,0	15	215	180	135,0	13,0	5
(M)RT 80x100	213,0	117	110	95	107	90	130	110	72,5	M10x20	3,5	76,0	15	215	180	135,0	13,0	5
(M)RT 80x120	235,0	138	110	95	128	90	165	130	80,5	M12x25	3,5	86,0	15	215	180	145,0	13,0	5
(M)RT 100x150	238,0	171	130	117	160	107	215	180	106,0	M14x25	4,0	110,0	20	300	250	208,0	17,0	6
(M)RT 100x180	304,0	202	130	117	189	107	265	230	129,0	M16x25	4,0	132,0	20	350	300	220,0	18,0	5

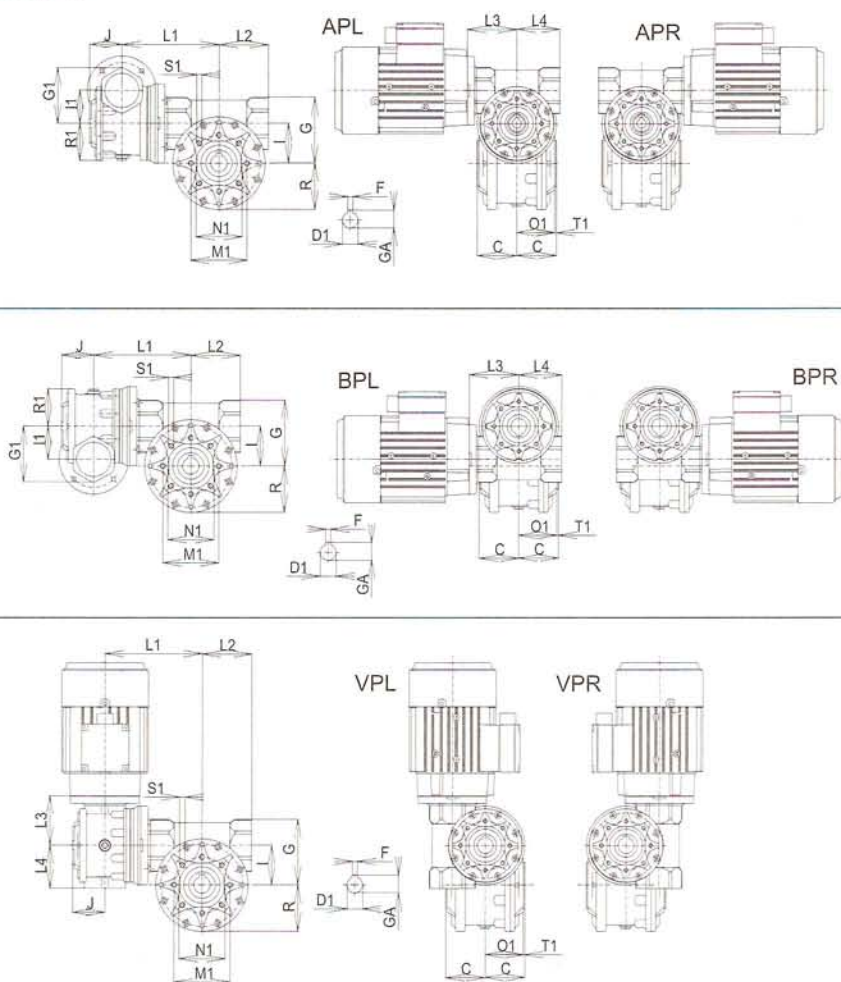
Таб. 12.7 Чертежи размеров



Размер	A	AB	B	BB	C	D1H7	F	GA	G	H	G1	H1	H2	HA	I	I1	J	K
(M)RT 30×30	66	80	50+55	82	31,5	14	5	16,3	51	52	51	82	22	6,0	30	30	31,5	7
(M)RT 30×40	84	100	70	96	41,0	19	6	21,8	70	52	51	111	31	8,0	40	30	31,5	7
(M)RT 30×50	96	114	85	112	49,0	24	8	27,3	84	52	51	135	35	10,0	50	30	31,5	9
(M)RT 40×50	96	114	85	112	49,0	24	8	27,3	84	71	70	135	35	10,0	50	40	41,0	9
(M)RT 40×60	111	137	95	140	60,0	25	8	28,3	99	71	70	160	40	12,0	60	40	41,0	11
(M)RT 40×70	115	141	120	156	60,5	28	8	31,3	109	71	70	185	45	12,0	70	40	41,0	11
(M)RT 50×60	111	137	95	140	60,0	25	8	28,3	99	100	84	160	40	12,0	60	50	49,0	11
(M)RT 50×70	115	141	120	156	60,5	28	8	31,3	109	115	84	185	45	12,0	70	50	49,0	11
(M)RT 50×80	147	180	140	180	70,0	35	10	38,3	128	142	84	222	62	13,0	80	50	49,0	11
(M)RT 70×100	164	198	160	210	76,0	40	12	43,3	155	160	109	260	60	16,5	100	70	60,5	13
(M)RT 80×100	164	198	160	210	76,0	40	12	43,3	155	160	128	260	60	16,5	100	80	70,0	13
(M)RT 80×120	180	216	200	250	86,0	45	14	48,8	175	185	128	305	65	18,0	120	80	70,0	15
(M)RT 100×150	220	260	270	340	110,0	55	16	59,0	219	230	155	380	80	20,0	150	100	76,0	19
(M)RT 100×180	264	318	300	370	132,0	60	18	65,2	264	280	155	460	100	22,0	180	100	76,0	22

Размер	L1	L2	L3	L4	R	R1	M1	N1	O1	S1	T1	C1	LA	M2	N2	O2	S2	T2
(M)RT 30×30	90,0	46	55	46	42	42	65	55	29,0	M6×7	2,5	18,5	6	65	50	50,0	6,5	4
(M)RT 30×40	103,0	57	55	46	48	42	65	50	38,5	M6×12	2,5	41,0	11	115	95	82,0	9,0	4
(M)RT 30×50	113,0	65	55	46	56	42	75	60	46,5	M6×12	2,5	43,0	11	130	110	92,0	10,0	4
(M)RT 40×50	124,0	65	65	57	56	48	75	60	46,5	M6×12	2,5	43,0	11	130	110	92,0	10,0	4
(M)RT 40×60	142,0	75	65	57	70	48	85	70	57,5	M6×12	2,5	42,0	12	165	130	102,0	11,0	4
(M)RT 40×70	150,0	81	65	57	76	48	100	80	57,0	M6×16	3,5	51,0	12	165	130	111,5	11,0	5
(M)RT 50×60	147,5	75	75	65	70	56	85	70	57,5	M6×12	2,5	42,0	12	165	130	102,0	11,0	4
(M)RT 50×70	155,5	81	75	65	76	56	100	80	57,0	M8×16	3,5	51,0	12	165	130	111,5	11,0	5
(M)RT 50×80	164,5	95	75	65	90	56	130	110	66,5	M10×16	3,5	50,0	12	165	130	120,0	11,0	5
(M)RT 70×100	208,5	117	101	81	107	76	130	110	72,5	M10×20	3,5	76,0	15	215	180	135,0	13,0	5
(M)RT 80×100	213,0	117	110	95	107	90	130	110	72,5	M10×20	3,5	76,0	15	215	180	135,0	13,0	5
(M)RT 80×120	235,0	138	110	95	128	90	165	130	80,5	M12×25	3,5	86,0	15	215	180	145,0	13,0	5
(M)RT 100×150	238,0	171	130	117	160	107	215	180	106,0	M14×25	4,0	110,0	20	300	250	208,0	17,0	6
(M)RT 100×180	304,0	202	130	117	189	107	265	230	129,0	M16×25	4,0	132,0	20	350	300	220,0	18,0	5

Таб. 12.8 Чертежи размеров



Размер	A	AB	B	BB	C	D1H7	F	GA	G	H	G1	H1	H2	HA	I	I1	J	K
(M)RT 30×30	66	80	50+55	82	31,5	14	5	16,3	51	52	51	82	22	6,0	30	30	31,5	7
(M)RT 30×40	84	100	70	96	41,0	19	6	21,8	70	52	51	111	31	8,0	40	30	31,5	7
(M)RT 30×50	96	114	85	112	49,0	24	8	27,3	84	52	51	135	35	10,0	50	30	31,5	9
(M)RT 40×50	96	114	85	112	49,0	24	8	27,3	84	71	70	135	35	10,0	50	40	41,0	9
(M)RT 40×60	111	137	95	140	60,0	25	8	28,3	99	71	70	160	40	12,0	60	40	41,0	11
(M)RT 40×70	115	141	120	156	60,5	28	8	31,3	109	71	70	185	45	12,0	70	40	41,0	11
(M)RT 50×60	111	137	95	140	60,0	25	8	28,3	99	100	84	160	40	12,0	60	50	49,0	11
(M)RT 50×70	115	141	120	156	60,5	28	8	31,3	109	115	84	185	45	12,0	70	50	49,0	11
(M)RT 50×80	147	180	140	180	70,0	35	10	38,3	128	142	84	222	62	13,0	80	50	49,0	11
(M)RT 70×100	164	198	160	210	76,0	40	12	43,3	155	160	109	260	60	16,5	100	70	60,5	13
(M)RT 80×100	164	198	160	210	76,0	40	12	43,3	155	160	128	260	60	16,5	100	80	70,0	13
(M)RT 80×120	180	216	200	250	86,0	45	14	48,8	175	185	128	305	65	18,0	120	80	70,0	15
(M)RT 100×150	220	260	270	340	110,0	55	16	59,0	219	230	155	380	80	20,0	150	100	76,0	19
(M)RT 100×180	264	318	300	370	132,0	60	18	65,2	264	280	155	460	100	22,0	180	100	76,0	22

Размер	L1	L2	L3	L4	R	R1	M1	N1	O1	S1	T1	C1	LA	M2	N2	O2	S2	T2
(M)RT 30×30	90,0	46	55	46	42	42	65	55	29,0	M6×7	2,5	18,5	6	65	50	50,0	6,5	4
(M)RT 30×40	103,0	57	55	46	48	42	65	50	38,5	M6×12	2,5	41,0	11	115	95	82,0	9,0	4
(M)RT 30×50	113,0	65	55	46	56	42	75	60	46,5	M6×12	2,5	43,0	11	130	110	92,0	10,0	4
(M)RT 40×50	124,0	65	65	57	56	48	75	60	46,5	M6×12	2,5	43,0	11	130	110	92,0	10,0	4
(M)RT 40×60	142,0	75	65	57	70	48	85	70	57,5	M6×12	2,5	42,0	12	165	130	102,0	11,0	4
(M)RT 40×70	150,0	81	65	57	76	48	100	80	57,0	M6×16	3,5	51,0	12	165	130	111,5	11,0	5
(M)RT 50×60	147,5	75	75	65	70	56	85	70	57,5	M6×12	2,5	42,0	12	165	130	102,0	11,0	4
(M)RT 50×70	155,5	81	75	65	76	56	100	80	57,0	M8×16	3,5	51,0	12	165	130	111,5	11,0	5
(M)RT 50×80	164,5	95	75	65	90	56	130	110	66,5	M10×16	3,5	50,0	12	165	130	120,0	11,0	5
(M)RT 70×100	208,5	117	101	81	107	76	130	110	72,5	M10×20	3,5	76,0	15	215	180	135,0	13,0	5
(M)RT 80×100	213,0	117	110	95	107	90	130	110	72,5	M10×20	3,5	76,0	15	215	180	135,0	13,0	5
(M)RT 80×120	235,0	138	110	95	128	90	165	130	80,5	M12×25	3,5	86,0	15	215	180	145,0	13,0	5
(M)RT 100×150	238,0	171	130	117	160	107	215	180	106,0	M14×25	4,0	110,0	20	300	250	208,0	17,0	6
(M)RT 100×180	304,0	202	130	117	189	107	265	230	129,0	M16×25	4,0	132,0	20	350	300	220,0	18,0	5

Таб. 12.9 Чертежи размеров

