

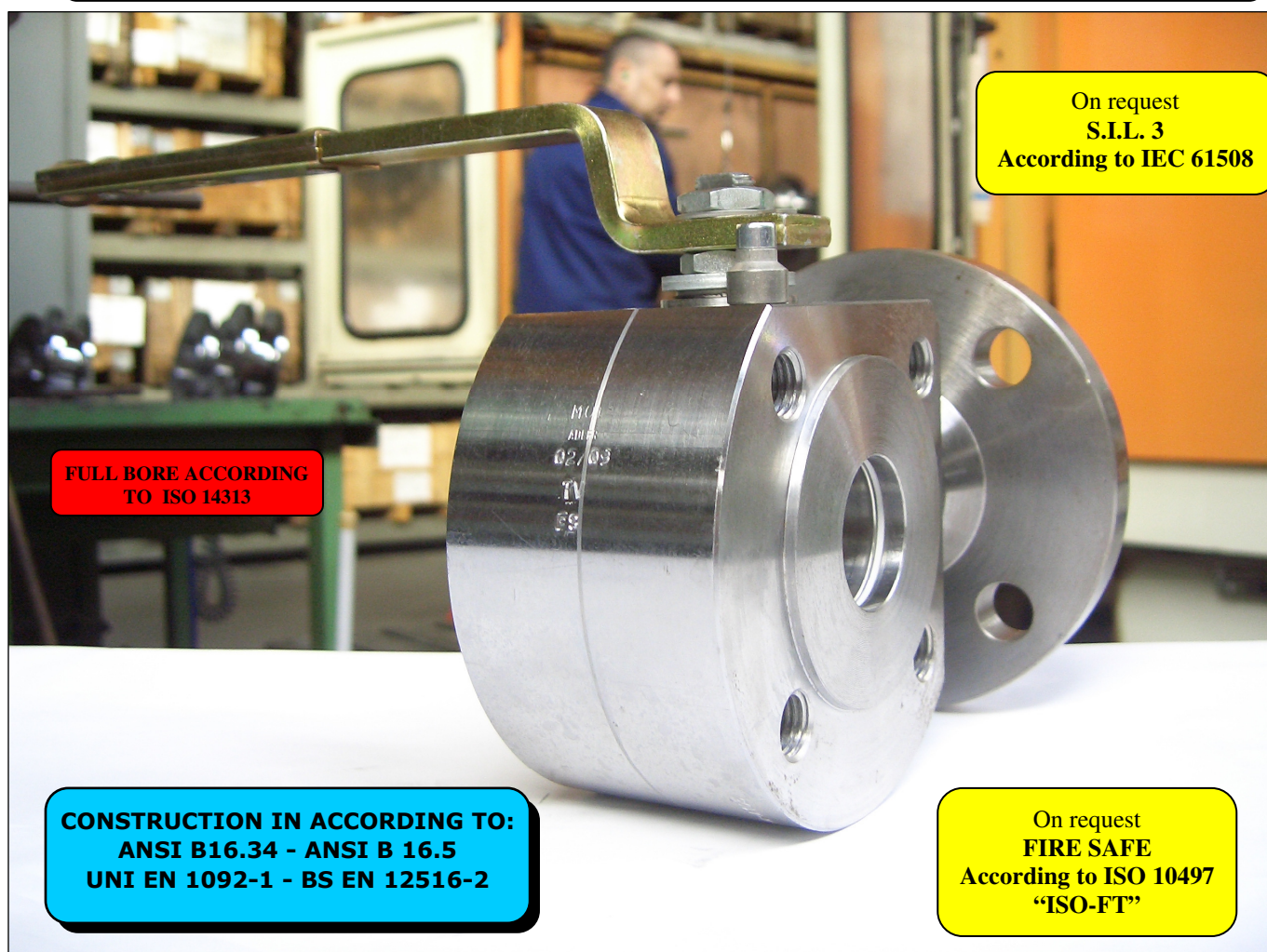
ISO 9001:2008 by L.R.
PED DIR. 97/23/EC by L.R.
ATEX DIR. 94/9/EC by B.V.
FIRE SAFE EXECUTION by L.R.
ISO 15848 by TÜV
ANTISTATIC DEVICE by L.R.
FIRE SAFE TESTED ISO 10497 by L.R.

TYPE
FA4
PN 10 ÷ 40
ANSI 150

NORME E DIRETTIVE APPLICATE DISPONIBILI AL SEGUENTE LINK:
STANDARD AND DIRECTIVE APPLIED AVAILABLE AT FOLLOWING LINK:
http://www.adlerspa.com/pdf/NORME_ADLER.pdf

VALVOLE A SFERA "3 VIE CORPO PIATTO" PASSAGGIO TOTALE 90°

ISO nbr° LRC 0160281 QMS issued by L.R.Q.A. PED nbr° COV 0212112/01 issued by L.R.V.
ATEX nbr° 40.2003.4392 issued by B.V. ISO 15848 nbr° I-148466/1-1/2 issued by TÜV



On request
S.I.L. 3
According to IEC 61508

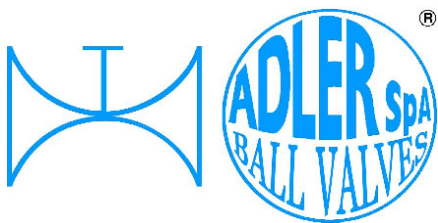
FULL BORE ACCORDING
TO ISO 14313

CONSTRUCTION IN ACCORDING TO:
ANSI B16.34 - ANSI B 16.5
UNI EN 1092-1 - BS EN 12516-2

On request
FIRE SAFE
According to ISO 10497
"ISO-FT"

BALL VALVES "3 WAY WAFER" FULL BORE 90°
ROBINETS A BOISSEAU SPHERIQUE
"3 VOIES WAFER" PASSAGE INTEGRAL 90°
KUGELHÄHNE "3 WEGE KOMPAKTHAHN"
VOLLER DURCHGANG 90°

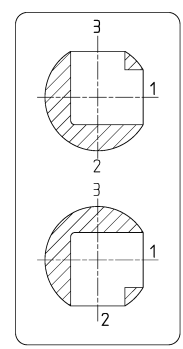
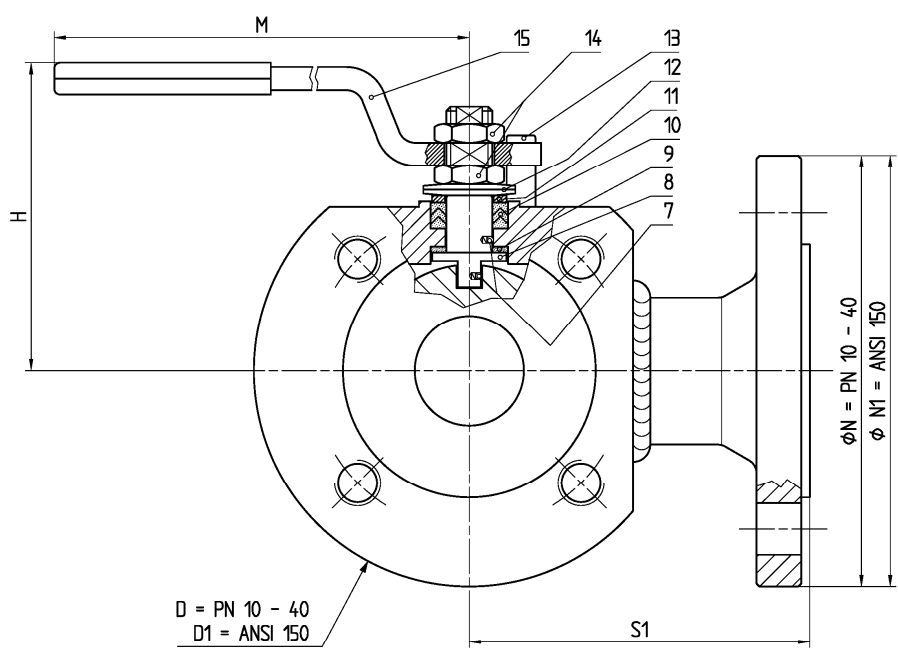
WEB SITE: WWW.ADLERSPA.COM



ISO 9001:2008 by L.R.
 PED DIR. 97/23/EC by L.R.
 ATEX DIR. 94/9/EC by B.V.
 FIRE SAFE EXECUTION by L.R.
 ISO 15848 by TÜV
 ANTISTATIC DEVICE by L.R.
 FIRE SAFE TESTED ISO 10497 by L.R.

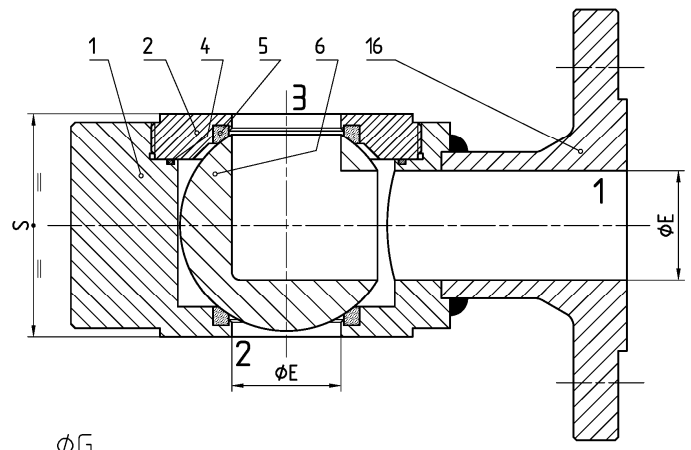
TYPE
FA4
 PN 10 ÷ 40
 ANSI 150

VALVOLA A SFERA "3 VIE CORPO PIATTO" PASSAGGIO TOTALE 90°
BALL VALVES "3 WAY WAFER" FULL BORE 90°
ROBINETS A BOISSEAU SPHERIQUE "3 VOIES WAFER" PASSAGE INTEGRAL 90°
KUGELHÄHNE "3 WEGE KOMPAKTHAHN" VOLLER DURCHGANG 90°

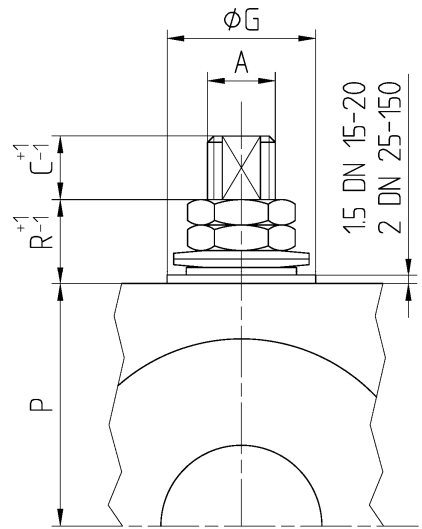


POSIZIONI OTTENIBILI
 OBTAINABLE POSITIONS
 POSITIONS OBTENABLES
 MÖGLICHE STELLUNGEN

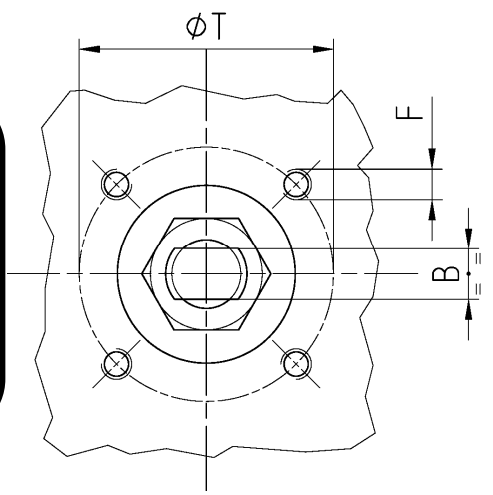
D = PN 10 - 40
 D1 = ANSI 150



CONSTRUCTION IN ACCORDING TO:
ANSI B16.34 - ANSI B 16.5
UNI EN 1092-1 - BS EN 12516-2



• ACCOPPIAMENTO VALVOLA
 ATTUATORE
 • CONNECTION VALVE
 ACTUATOR
 • ACCOUPLEMENT ROBINET-
 ACTIONNEUR
 • ZUSAMMENBAU KUGELHAHN
 ANTRIEB
ISO-5211



N.	DESCRIZIONE DESCRIPTION DESCRIPTION BESCHREIBUNG	MATERIALI MATERIALS MATERIAUX WERKSTOFFE
1	CORPO BODY CORPS KÖRPER	ASTM A105 ASTM A 182 F316- A479 S31600
2	GHIERA INSERT EMBOUT GEWINDEDRUCKRING	ASTM A105 ASTM A 182 F316- A479 S31600
3		
4*	ANELLO SEAL ANNEAU DICHTUNGSRING	P.T.F.E.
5*	SEDE SEAT SIEGE SITZRING	P.T.F.E.
6	SFERA BALL BOULE KUGEL	ASTM A182 F304-A479 S30400 ASTM A351 CF8 ≥ DN 40 ASTM A182 F316-A479 S31600 ASTM A351 CF8M
7	DISPOSITIVO ANTISTATICO ANTISTATIC DEVICE CONTACT ANTISTATIQUE ANTISTATIK VORRICHTUNG	ASTM A479 S31600
8	STELO STEM TIGE SPINDEL	ASTM A182 F304 A479 S30400 ≥ DN 40 ASTM A182 F316 A479 S31600

N.	DESCRIZIONE DESCRIPTION DESCRIPTION BESCHREIBUNG	MATERIALI MATERIALS MATERIAUX WERKSTOFFE
9*	BUSSOLA STEM SEAL JOINT TIGE UNTERE SPINDELABDICHTUNG	P.T.F.E.
10*	PACCO A "V" CHEVRON RINGS JOINT A "V" 3 FACHE DACHMANSCHETTE	P.T.F.E. / GRAFITE P.T.F.E. / GRAPHITE P.T.F.E. / GRAPHITE P.T.F.E. / GRAPHIT
11	PREMIBUSSOLA PRESSING BUSH PRESSE RONDELLE STOPFBUCHSDRUCKRING	ASTM A479 S31600
12	MOLLE A TAZZA SPRING WASHERS RONDELLES BELLEVILLE TELLERFEDERN	C72/50Cr V4 ZINCATO - GALVANIZED - ZINGUE - VERZINKT X5CrNi17.7 or X12CrNi17.7 ON REQUEST
13	VITE DI FERMO E FERMO PIN AND STOP PIN PLONT ET PLOT D'ARRET ANSCHLAGBOLZEN	UNI 3740 8.8 ZINCATO - GALVANIZED - ZINGUE - VERZINKT UNI 3951 A2-70 ON REQUEST
14	DADO - CONTRODADO NUT - LOCK NUT ECROU - CONTRE-ECROU MUTTER - KONTERMUTTER	UNI 3740 - 6S ZINCATO - GALVANIZED - ZINGUE - VERZINKT ASTM A479 304 ON REQUEST
15	LEVA WRENCH LEVIER HANDHEBEL	UNI 5946 Fe 37 ZINCATO - GALVANIZED - ZINGUE - VERZINKT ASTM A479 304 ON REQUEST
16	FLANGIA FLANGE BRIDE FLANSCH	ASTM A105 ASTM A 182 F316- A479 S31600

* RICAMBI CONSIGLIATI - RECOMMENDED SPARE PARTS - PIECES DE RECHANGE CONSEILLEES - ERSATZTEIL EMPFEHLUNG

DIMENSIONI - DIMENSION - DIMENSIONS - ABMESSUNGEN

DN	10	15	20	25	32	40	50	65	80	100	100	125	150		
AxB		10x16	10x6	12x8	12x8	16x10	16x10	22x14	22x14	30x18	30x18	30x18	42		
C		7	7	10	10	15	15	17	12	17	17	17	19		
ØD		95	105	115	140	150	165	188	208	220	234	249	340		
ØD1		89	99	108	118	128	153	188	208	229	/	258	340		
ØE		15	19	25	30	38	51	64	69	87	87	108	136		
F		M5	M5	M5	M5	M6	M6	M8	M8	M10	M10	M10	M12		
ISO		F03	F03	F03	F03	F05	F05	F07	F07	F10	F10	F10	F12		
G		25	25	25	25	35	35	55	55	70	70	70	85		
H		70	75	90	95	112	122	175	149	174	174	187	255		
M		145	145	185	185	280	280	370	370	470	470	650	750		
ØN		95	105	115	140	150	165	185	200	220	234	249	283		
ØN1		89	99	108	118	128	153	178	190	229	/	254	283		
P		36,6	41	46	51	57	67	85	91,5	99,5	107	114	144		
R		8	8	17	17	20	20	23	23	27	18	25	34		
S		42	50	56	66	78	98	119	124	154	154	182	288		
S1		85	90	95	110	115	125	150	165	170(1)	190	190(2)	230		
T		36	36	36	36	50	50	70	70	102	102	102	125		
~Kg		2,5	4	5	9	12	18	28	37	50	55				

- DATI E CARATTERISTICHE SOGGETTI A VARIAZIONI SENZA PREAVVISO
- SPECIFICATIONS SUBJECT TO MODIFICATION WITHOUT PRIOR NOTICE
- TOUS DROITS DE MODIFICATION RESERVES
- KONSTRUKTIONSÄNDERUNGEN VORBEHALTEN

(1) 180 ANSI 150

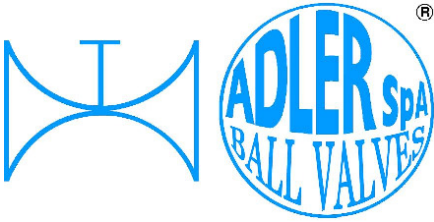
(2) 200 ANSI 150

PN 10 ÷ 16

PN 25 ÷ 40



ADLER SpA - BALL VALVES
20010 S. STEFANO TICINO (MI) ITALY V.le BORLETTI, 14 Tel. +39/02974842.11 FAX +39/0297271698
E-mail: adler@adlerspa.com <http://www.adlerspa.com>



ISO 9001:2008 by L.R.
 PED DIR. 97/23/EC by L.R.
 ATEX DIR. 94/9/EC by B.V.
 FIRE SAFE EXECUTION by L.R.
 ISO 15848 by TÜV
 ANTISTATIC DEVICE by L.R.
 FIRE SAFE TESTED ISO 10497 by L.R.

TYPE
FA4
 PN 10 ÷ 40
 ANSI 150

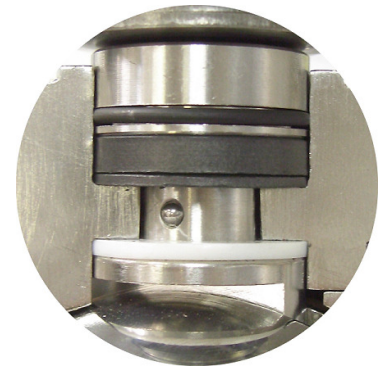
VALVOLA A SFERA "CORPO PIATTO" PASSAGGIO TOTALE
 BALL VALVES "WAFER TYPE" FULL BORE

ROBINETS A BOISSEAU SPHERIQUE "WAFER" PASSAGE INTEGRAL
 FLANSCHKUGELHÄHNE IN "KOMPAKTBAUWEISE" VOLLER DURCHGANG

• ESECUZIONI • EXECUTIONS • EXECUTIONS • AUSFÜHRUNGEN



EXECUTION 4 - 12



EXECUTION 6 - 16

S STANDARD

O OPTIONAL

1 **S**

-MONTAGGIO VITI - SCREW ASSEMBLING
 -MONTAGE VIS - EINBAU MIT SCHRAUBEN

2 **S** INDICATORE DI FLUSSO
 FLOW INDICATOR

3 **S** **DN 150**

UNIONE CORPO LATERALE CON VITE
 BODY AND END ASSEMBLING WITH SCREW

Screw UNI 3740-8.8
 GALVANIZED

UNI 3951 A2-70 ON REQUEST

4 **S**

-STELO ANTI ESPULSIONE -ANTI BLOW OUT STEM
 -TIGE ANTIEXPULSION -AUSBLASGESICHERTE WELLE

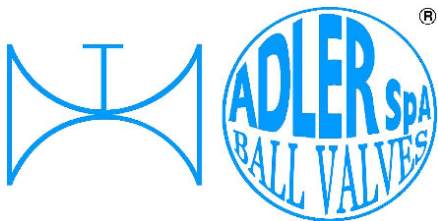
-PACCO A "V" -CHEVRON RINGS
 -JOINT A "V" -3 FACHE DACHMANSCHETE
 ANTISTATIC DEVICE ANTISTATIK VORRICHTUNG
 BS 5146



6 **O** **BREVETTO - PATENTED**
00219688

FKM (VITON)

-"O" RING STELO "O" RING ON STEM
 -TIGE AVEC "O" RING
 -"O" RING IM SPINDELBEREICH



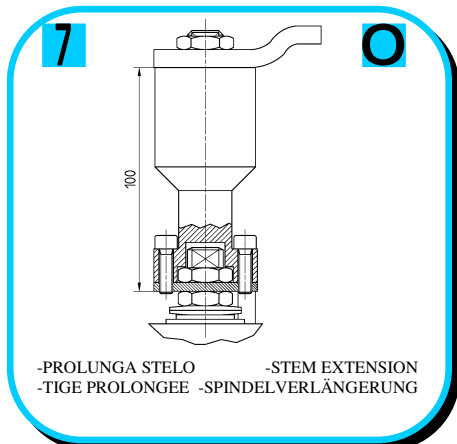
ISO 9001:2008 by L.R.
 PED DIR. 97/23/EC by L.R.
 ATEX DIR. 94/9/EC by B.V.
 FIRE SAFE EXECUTION by L.R.
 ISO 15848 by TÜV
 ANTISTATIC DEVICE by L.R.
 FIRE SAFE TESTED ISO 10497 by L.R.

TYPE
FA4
 PN 10 ÷ 40
 ANSI 150

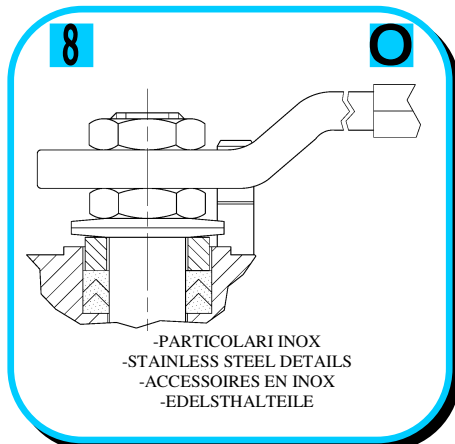
VALVOLA A SFERA "CORPO PIATTO" PASSAGGIO TOTALE
 BALL VALVES "WAFER TYPE" FULL BORE

ROBINETS A BOISSEAU SPHERIQUE "WAFER" PASSAGE INTEGRAL
 FLANSCHKUGELHÄHNE IN "KOMPAKTBAUWEISE" VOLLER DURCHGANG

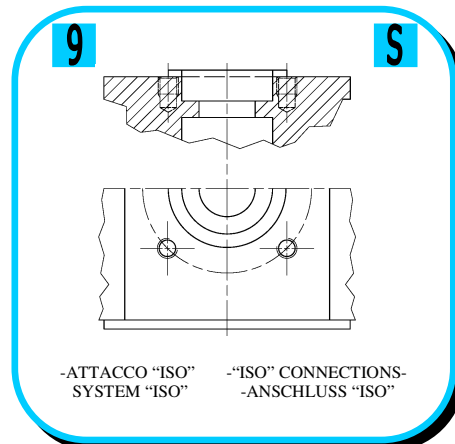
• ESECUZIONI • EXECUTIONS • EXECUTIONS • AUSFÜHRUNGEN



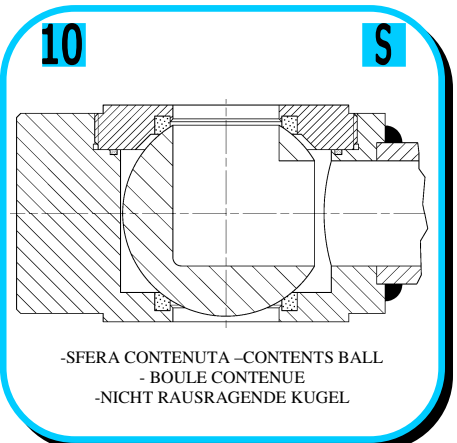
7
 -PROLUNGA STELO -STEM EXTENSION
 -TIGE PROLONGEE -SPINDELVERLÄNGERUNG



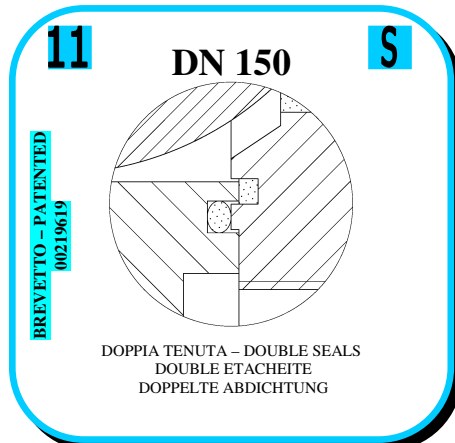
8
 -PARTICOLARI INOX
 -STAINLESS STEEL DETAILS
 -ACCESSOIRES EN INOX
 -EDELSTHALTEILE



9
 -ATTACCO "ISO" -"ISO" CONNECTIONS-
 -SYSTEM "ISO" -ANSCHLUSS "ISO"



10
 -SFERA CONTENUTA -CONTENTS BALL
 -BOULE CONTENUE
 -NICHT RAUSRAGENDE KUGEL



11
 DN 150
 BREVETTO - PATENTED
 00219619
 DOPPIA TENUTA - DOUBLE SEALS
 DOUBLE ETACHEITE
 DOPPELTE ABDICHTUNG



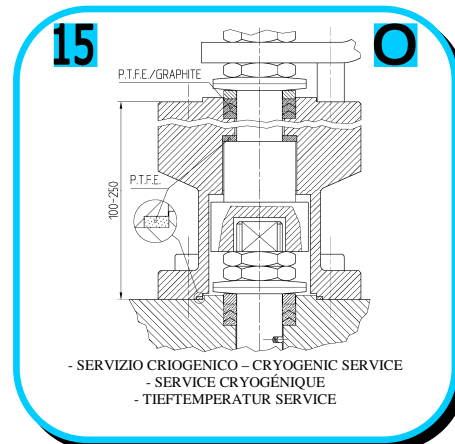
12
 FIRE SAFE
 ISO 10497 "ISO-FT"
 (BS 6755 / API 607)



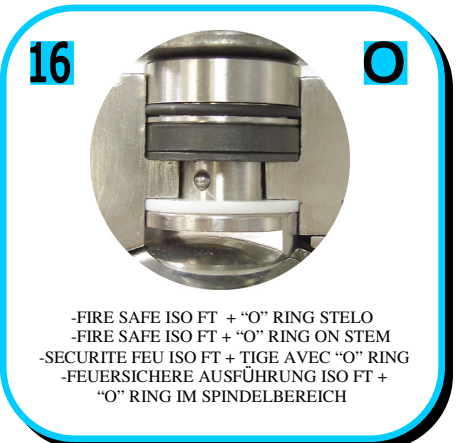
13
 ANELLO CONTENUTO - CONTAINED SEAL
 ANNEAU CONTENU - DICHRING GEKAMMERT
 -GHIERA A BATTUTA -METAL BEATING RING
 -EMBOUT AVEC BATTUE MECANIQUE
 -METALLISCHER ANSCHLAG DES
 GEWINDEDRUCKRINGS



VALVOLE CERTIFICATE S.I.L. 3
 VALVES CERTIFIED S.I.L. 3



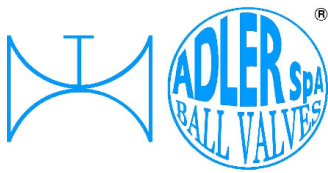
15
 -SERVIZIO CRIOGENICO - CRYOGENIC SERVICE
 -SERVICE CRYOGÉNIQUE
 -TIEFTEMPERATUR SERVICE



16
 -FIRE SAFE ISO FT + "O" RING STELO
 -FIRE SAFE ISO FT + "O" RING ON STEM
 -SECURITE FEU ISO FT + TIGE AVEC "O" RING
 -FEUERSICHERE AUSFÜHRUNG ISO FT +
 "O" RING IM SPINDELBEREICH



N.D.T. QUALIFICATION IN ACC. TO
 EN 473 LEVEL II -PT AND MT-



VITI D'ASSEMBLAGGIO E DIMENSIONI FLANGIE PER FA4
ASSEMBLING SCREWS AND FLANGE DIMENSION FOR FA4
VIS D'ASSEMBLAGE ET DIMENSIONS DES BRIDES POUR FA4
MONTAGESCHRAUBEN UND FLANSCHANSCHLUSSMASSE FA4

TABLE
07-04-03

N° VITI - DIMENSIONE • N° SCREW - DIMENSIONS • N° VIS - DIMENSIONS • N° SCHRAUBEN - ABMESSUNGEN

EUROPEAN NORM

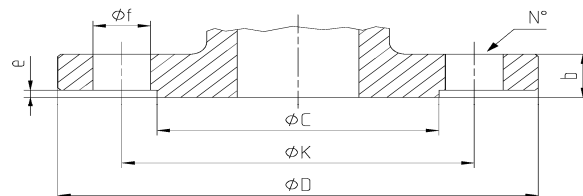
DN PN	10-15		20		25		32		40		50		65		80		100		125		150		200	
	10	8	M12 X30	8	M12 X30	8	M12 X35	8	M16 X35	8	M16 X35	8	M16 X40	8	M16 X40	* 16	M16 X40	16	M16 X40	16	M16 X45	16	M20 X45	
16	8	M12 X30	8	M12 X30	8	M12 X35	8	M16 X35	8	M16 X35	8	M16 X40	8	M16 X40	16	M16 X40	16	M16 X40	16	M16 X45	16	M20 X45		
25	8	M12 X30	8	M12 X35	8	M12 X35	8	M16 X40	8	M16 X40	8	M16 X40	16	M16 X45	16	M16 X45	16	M20 X50	16	M24 X55	16	M24 X55		
40	8	M12 X30	8	M12 X35	8	M12 X35	8	M16 X40	8	M16 X40	8	M16 X40	16	M16 X45	16	M16 X45	16	M20 X50	16	M24 X55	16	M24 X55		

ANSI METRIC (STANDARD ADLER)

Rating	1/2"		3/4"		1"		1 1/4"		1 1/2"		2"		2 1/2"		3"		4"		5"		6"		8"	
	150	8	M14 X30	8	M14 X30	8	M14 X30	8	M14 X45	8	M14 X35	8	M16 X40	8	M16 X40	8	M16 X45	16	M16 X45	16	M20 X50	16	M20 X50	

ANSI B1.1 UNC (ON REQUEST)

Rating	1/2"		3/4"		1"		1 1/4"		1 1/2"		2"		2 1/2"		3"		4"		5"		6"		8"	
	150	8	1/2 X 1 1/4	8	1/2 X 1 1/4	8	1/2 X 1 1/4	8	1/2 X 1 1/4	8	1/2 X 1 1/2	8	5/8 X 1 1/2	8	5/8 X 1 3/4	8	5/8 X 1 3/4	16	5/8 X 1 3/4	16	3/4 X 2	16	3/4 X 2	



ANSI B16.5

DN	Ref.	1/2"	3/4"	1"	1 1/4"	1 1/2"	2"	2 1/2"	3"	4"	5"	6"	8"	10"	12"
ANSI 150 RF	D	88.9	98.6	108	117.4	127	152.4	177.8	190.5	228.6	254	279.4			
	C	35.1	43	50.8	63.5	92	104.7	127	157.3	185.7	215.9	269.8			
	K	6035	69.9	79.2	88.9	98.6	120.7	139.7	152.4	190.5	215.9	241.3			
	N°	4	4	4	4	4	4	4	4	8	8	8			
	f	15.8	15.8	15.8	15.8	19.1	19.1	19.1	19.1	19.1	22.4	22.4			
	b	11.2	12.7	14.3	15.8	17.6	19.1	22.4	23.9	23.9	23.9	25.4			
e	1.6	1.6	1.6	1.6	1.6	1.6	1.6	1.6	1.6	1.6	1.6				

EN 1092-1

DN	Ref.	10	15	20	25	32	40	50	65	80	100	125	150	200	250	300
PN 10/16	D		95	105	115	140	150	165	185	200	220	250	285			
	C		45	58	68	78	88	102	122	138	158	188	212			
	K		65	75	85	100	110	125	145	160	180	210	240			
	N°		4	4	4	4	4	4	4	4*	8	8	8	8		
	f		14	14	14	18	18	18	18	18	18	18	18	22		
	b		16	18	18	18	18	18	18	18	20	20	22	22		
e		2	2	2	2	3	3	3	3	3	3	3	3			
PN 25/40	D		95	105	115	140	150	165	185	200	235	270	300			
	C		45	58	68	78	88	102	122	138	162	188	218			
	K		65	75	85	100	110	125	145	160	190	220	250			
	N°		4	4	4	4	4	4	4	8	8	8	8	8		
	f		14	14	14	18	18	18	18	18	22	26	26			
	b		16	18	18	18	18	18	20	22	24	26	28			
e		2	2	2	2	3	3	3	3	3	3	3				

Tab-07-04-03/12 RIPRODUZIONE VIETATA - COPYRIGHT

